



## सीएसआईआर-भारतीय समवेत औषध संस्थान

CSIR-INDIAN INSTITUTE OF INTEGRATIVE MEDICINE

केनाल रोड, जम्मू-180001/ Canal Road, Jammu -180001

0191-2585032. Tele Fax: 2585032 GSTIN-DIAAATC2716R1ZT

Website: <http://www.iiim.res.in> Email: [dilip.spo@iiim.res.in](mailto:dilip.spo@iiim.res.in), [purchase@iiim.ac.in](mailto:purchase@iiim.ac.in)

**E-PROCUREMENT ON OPEN TENDER BASIS: TO BE QUOTED IN INR ONLY (RESERVED FOR LOCAL SUPPLIERS AS PER MAKE IN INDIA PREFERENTIAL POLICY OF GOVT. OF INDIA)**

**BID DOCUMENT**

**बोली दस्तावेज**

For Procurement of "SUPPLY, INSTALLATION, COMMISSIONING & DEMONSTRATION OF "LABORATORY FURNITURE AND FUME HOOD" through Submission of offer in "OPEN Tender Enquiry in Single Stage Two Bid System.

Director, **CSIR- INDIAN INSTITUTE OF INTEGRATIVE MEDICINE (IIIM) CANAL ROAD JAMMU-180001**, invites bids from manufacturers, their authorised distributors and Indian Agent of Foreign principals, if any, for purchase of item/items mentioned above. The bids must be submitted in the central public procurement portal URL <https://etenders.gov.in/eprocure/app> only.

**OPEN TENDER ENQUIRY (OTE)**

**खुली निविदा पूछताछ**

Tender issued by

**भंडार एवं क्रय अधिकारी**

**Stores & Purchase Officer**

**सीएसआईआर-भारतीय समवेत औषध संस्थान**

**CSIR-INDIAN INSTITUTE OF INTEGRATIVE MEDICINE**

**केनाल रोड, जम्मू-180001/ Canal Road, Jammu -180001**

Phone: +91 0191-2585032. Tele Fax: 2585032

Website: <http://www.iiim.res.in>

Email: [dilip.spo@iiim.res.in](mailto:dilip.spo@iiim.res.in) & [purchase@iiim.ac.in](mailto:purchase@iiim.ac.in)

THIS BID DOCUMENT IS FREE OF COST IF DOWNLOADED FROM CPP PORTAL BY WAY OF URL <https://etenders.gov.in/eprocure/app> to publish OR CSIR-IIIM's website: <http://www.iiim.res.in>. However, The bids have to be submitted online in the CPP portal URL <https://etenders.gov.in/eprocure/app>.

**Chapter – I**  
**सीएसआईआर-भारतीय समवेत औषध संस्थान**  
**CSIR-INDIAN INSTITUTE OF INTEGRATIVE MEDICINE**  
केनाल रोड, जम्मू-180001/Canal Road, Jammu -180001  
0191-2585032. Tele Fax: 2585032  
Website: <http://www.iiim.res.in> Email: [dilip.spo@iiim.res.in](mailto:dilip.spo@iiim.res.in), [purchase@iiim.ac.in](mailto:purchase@iiim.ac.in)

पूछताछ / Enquiry No.: 06(163)/2023-P

Date : 20.03.2024

**वैज्ञानिक उपकरण हेतु निविदा**  
**TENDER FOR SCIENTIFIC EQUIPMENT**  
(Submission of offer in Two Bid Format)

On behalf of Director CSIR-Indian Institute of Integrative Medicine, Jammu, Tenders/Bids are invited through NIC Portal/[etenders.gov.in](http://etenders.gov.in) under **Single Stage Two Bid System** from reputed Equipment Manufacturers / Indian Authorized Agents of Foreign Suppliers for the supply of Scientific Equipments as mentioned below:-

Sl. No.	Name of the Item/Description	Quantity	Bid Security to be submitted along with Technical Bid
01.	<b>Procurement of "Supply, Installation, Commissioning &amp; Demonstration of "LABORATORY FURNITURE AND FUME HOOD" (Details are provided at Chapter II)</b>	01 No.	<b>Rs. 1,00,000/- (One lac only)</b>  <b>To be submitted as per the clause no. 12.1 of the tender document.</b>

The Tender Documents can be downloaded from our website ([www.iiim.res.in](http://www.iiim.res.in)) free of cost. The Tender Document can also be obtained from this office on payment for **Rs.500/-** by way of DD drawn in favour of "The Director, Indian Institute of Integrative Medicine", payable at Jammu. Tenders submitted as per the terms & conditions mentioned in Bid / Tender Document only will be accepted. In case tender document is downloaded from IIIM website directly by vendor, no tender document fee is chargeable.

**IMPORTANT DATES & TIME**

Bid Publishing Date	20 <sup>th</sup> of March 2024
Document Download / Sale Start Date	20.03.2024 at 4:00 PM onwards
Date & Time of Pre Bid Conference through MS Teams (Link will be provided. Firms are requested to submit their request for participation in Pre-bid conference through e- mail at <a href="mailto:purchase@iiim.ac.in">purchase@iiim.ac.in</a> latest by	Not Applicable
Date and time for submission of Pre-Bid technical specifications/ suggestions etc. by the prospective bidders through e-mail / hard copy to the SPO, IIIM, Jammu .	Not Applicable

Date for displaying of final and frozen technical specifications/any modification and amendment to the tender document by CSIR- IIM after Pre-Bid Conference in IIM website.	Not Applicable
<b>Bid Submission Start Date ( Hard Copy to be submitted to the SPO,IIM, Jammu )</b>	<b>20.03.2024 at 04.00 PM onwards</b>
Last date and time of submission of Bid /Quotation (Bid Submission closing date)	<b>22.04.2024 up to 3:00 PM (IST)</b>
Bid Opening Date	<b>23.04.2024 at 03.30PM (IST) onwards</b>
Venue of Opening of Bids	<b>CSIR-IIM, Purchase Section of IIM, Jammu</b>
Tenders to be submitted at	Through CPP Portal/etenders.gov.in (In online mode only)

~~An online Pre bid Conference will be held on through MS Teams on **at 03.00 PM (IST)** in CSIR – Indian Institute of Integrative Medicine, Jammu. All prospective bidders are requested to kindly submit their suggestions, if any to the address indicated above so as to reach the Stores & Purchase Officer, CSIR – Indian Institute of Integrative Medicine, Jammu latest by ~~-----~~ **till 03.00 PM (IST)** through e-mail at [purchase@iim.ac.in](mailto:purchase@iim.ac.in) after Pre-Bid Conference so that same can be vetted by the technical committee of CSIR-IIM for framing the final and frozen technical specifications. Bidders are requested to submit their offer after displaying the final and frozen technical specifications by CSIR-IIM as per schedule mentioned in the tender document / NIC's CPP Portal. However, CSIR-IIM will be the final deciding authority for the fixing the final technical specification as per its R&D needs.~~

**Manufacturers/Bidders may kindly go through the clause pertaining to Conflict of Interest in Chapter III.**

Bidders should ensure for submission of Bid Security (EMD should be in favour of the Director, IIM payable at Jammu & should be valid up to bid validity + 45 days) as mentioned in the clause 12.1 of the tender documents. The EMD should be submitted with technical bid, failing which the quotation may not be considered for evaluation. The MSEs are provided tender document free of cost and are exempted from the payment of Bid Security provided the goods are produced and the services are rendered by them and not for any trading activities undertaken by them (instead of bid security bidder has to submit a bid securing declaration as per Annexure D Bids of those tenders whose bid securing declaration are not submitted with the Technical Bids will be summarily rejected. It may be submitted along with technical bid online in case of Two Bid format. Whenever the bidder chooses to submit the Bid Security in the form of Bank Guarantee, then he should advise the banker issuing the Bank Guarantee to immediately send by Registered Post (A.D.) an unstamped duplicate copy of the Guarantee directly to the Purchaser with a covering letter to compare with the original BG for the correctness, genuineness, etc. EMD will be returned with the approval of the Sr. Most Officer of the Purchase when the bidding process is complete.

In the event of the dates specified for bid opening being declared as closed holiday for Purchaser's Office, the due date for submission of bids and opening of bids will be the following working day at the appointed time.

Important note:

- Please strictly adhere to the dates/times mentioned in this document.
- The bidders may submit their bid through CPP portal/etenders.gov.in. Bids received by FAX/E-mail would not be considered for evaluation.
- Prospective bidders are requested to submit their offers in **Single Stage Two Bidformat through CPP portal/ etenders.gov.in**

**Eligibility for participation:-**

- (i) Indigenous manufacturers and their authorized dealers are eligible and they will be considered as Local Supplier Class-I/II for price preferences as per GOI Notification vide OM bearing No. P- 45021/2/2017-PP(BE-II) dated 04<sup>th</sup> June, 2020 and again on 16<sup>th</sup> September 2020 issued by Department of Industry and Internal Trade (Public Procurement Section), Ministry of Commerce & Industry, Govt. of India or by the competent Ministries/Departments in pursuance of this order. Class I Local Supplier will be categorized as per OM bearing no. F.1/4/2021-PPD dated 18/05/2023 issued by Public Procurement Division, Department of Expenditure, Ministry of Finance, Govt. of India as follows:-.

"Class-I Local Supplier", under PPP-MII Order, participating in any government tender, may or may not be MSEs as defined under the MSME Act. Similarly, MSEs participating in any government tender may or may not be Class - I Local Suppliers. Suppliers may be categorised in following four broad categories for consideration or applicability of purchase preference.

Category	Terminology
Supplier is both MSE & Class I Local Supplier.	"MSE Class - I Local Supplier".
Supplier is MSE but not Class - I Local Supplier.	"MSE but non-Class I Local Supplier".
Supplier is not MSE but is Class - I Local Supplier.	"Non-MSE but Class - I Local Supplier.
Supplier is neither MSE nor Class - I Local.	"Non-MSE non-Class - I Local Supplier.

**Minimum Local Content:** The 'local content' requirement to categorize a supplier as Class I local supplier is minimum 50%. For 'Class II local supplier', the 'local content' requirement is minimum 20%.

Class I local supplier at the time of tender, bidding or solicitation shall be required to indicate percentage of local content and provide self-certification that the item offered meets the local content and provide self-certification that the item offered meets the local content requirement for Class I local supplier/Class II local supplier, as the case may be. They shall also give details of the location(s) at which the local value addition is made.---Format as Annexure S is to be submitted by all the bidders.

"Class-II local supplier" means a supplier or service provider, whose goods, services or works offered for procurement, meets the minimum local content of 20% as prescribed for 'Class-II local supplier' but less than that prescribed for 'Class-I local supplier' in DIPP OM No. P-45021/2/2017-PP (BE-II) dated 16 September 2020 or by the competent Ministries/Departments in pursuance of this order.

- (ii) In pursuant of the clarification vide GOI Notification vide OM bearing No. P-45021/102/2019-PP (BE-II) (E-29930) dated 26.11.2020 issued by Public Procurement Section, Department of Promotion of Industry and Internal Trade, Ministry of Commerce and Industry, GOI that **bidders offering imported products will fall under the category of Non-Local Suppliers** and they can't claim themselves as Class-I local supplier/Class-II local supplier by claiming profit, warehousing, marketing, logistic, freight etc. as local value addition.
- ~~(iii) Since it is Global Tender Enquiry (GTE) thus non-supplier~~ in terms of GOI Notification vide OM bearing No. P-45021/2/2017-PP(BE-II) dated 04<sup>th</sup> June, 2020 and again on 16<sup>th</sup> September 2020 issued by Department of Industry and Internal Trade (Public Procurement Section), Ministry of Commerce & Industry, Govt. of India **are also eligible for participation in the tender.**
- (iv) In pursuant of the OM bearing No. F.N. 6/18/2019-PPD dated 23.07.2020 issued by Public Procurement Div., Department of Expenditure, Ministry Of Finance, Govt. of India the manufacturer/supplier are not eligible for participation if they are from such country which shares the land border with India. Offered items manufactured in such countries will not be considered.

Thanking you

Yours faithfully,

(दिलीप कुमार गेहलोत)

Stores & Purchase Officer

(For and On behalf of The Council of Scientific & Industrial Research)

0191-2585032. Tele Fax: 2585032

[dilip.spo@iiim.res.in](mailto:dilip.spo@iiim.res.in), [purchase@iiim.ac.in](mailto:purchase@iiim.ac.in)

**Chapter II**  
**Technical Specifications & Other Important Requirements:**

**TECHNICAL SPECIFICATIONS OF LABORATORY FURNITURE  
AND FUME HOODS**

<b>SR. No.</b>	<b>DESCRIPTION</b>
1	MANDATORY REQUIREMENTS
2	TECHNICAL SPECIFICATIONS – LABORATORY FURNITURE
3	TECHNICAL SPECIFICATIONS – FUME HOODS
4	LIST OF APPROVED MAKES
5	BILL OF QUANTITY (BOQ)
6	DETAILED LAYOUT INCLUDING LAB LAYOUT DRAWINGS/ITEMIZED SKETCHES ETC.

**MANDATORY REQUIREMENTS**

The bidder should be a manufacturer registered in India or their authorized dealer or should be 100% subsidiary in India of parent company, if any

Joint ventures are not accepted

The bidder should have had an Office in the state of Jammu & Kashmir for the last 7 years for faster and better serviceability

If an authorized dealer is bidding for the parent company then the authorized representative should be having an office for the last 5 years

Should have satisfactorily completed installation of laboratory furniture works in India only as mentioned below during the last Seven years ending last day of the month April 2015:

Three similar works costing not less than Rs. 18 Lacs each or

Two similar works costing not less than Rs. 24 Lacs each or

One similar work costing not less than Rs. 30 Lacs

“Similar work” shall mean Lab furniture comprising of fume hoods, lab work benches, electrical, LAN, gas & utility distribution, etc.

**Required: Documentary Evidence**

Should have Certificate from end user for satisfactory performance of the products supplied, which was supplied at least 1 year from the date of issue of tender. The value of the project should be more than 50 lakhs.

Should have had average annual financial turnover of Rs. 2 Crores on manufacturing, supply & installation of Lab furniture works during the last three years ending 31<sup>st</sup> March 2023. (Scanned copy of Certificate from Chartered Accountant to be furnished)

Should not have incurred any loss in the last five years ending 31st March 2015.

**Required: Documentary Evidence**

The bidder should have in house ASHRAE 110: 1995 and EN 14175:2003 fume hood test facility. Photographs of this test facility must be attached to the technical bid

At least 2 Customer feedback forms stating the quality of work and overall feedback of Project Values of at least Rs. 30 Lacs. Required: Documentary Evidence

SEFA Membership Certificates for Last eight years on a continuous basis

Test Report: Welded Cabinets should be third-party tested for SEFA 8M and EN approved Lab. Test certificates applicable will be SEFA 8M, SEFA 10, EN 13150, EN 14727 and SEFA 1 / ASHRAE 110 by SEFA APPROVED LAB.

Test Report: Fume Hood should be type-tested as per EN 14175 by a third-party

Test Report: Fume Hood should be type-tested as per ASHRAE 110 by a third-party

Membership Certificate: The bidder/parent company should possess the key professional staff, at least one, in his organization with good knowledge of codes and standards like SEFA, OSHA, EN 14175, ASHRAE 110 and NFPA 45. Such professionals should have a valid membership of SEFA and in addition membership of any of the international governing standards

ISO 9001-2008, ISO 14001-2004, BS OSHAS 18001-2007 (For Design, Development, Manufacturing, Supply and servicing)

### FLOOR BASED WELDED CABINET WITH METAL SKIRTING

- Welded cabinet body should be flush face construction with intersection of vertical and horizontal members like LH and RH side panel along with front horizontal channel, back panel and bottom panel.
- It should be relocated anywhere easily as it is an independent unit.
- Cabinet should be of square non-sharp edge construction.
- Doors should be assembled with SS-304 hinge assembly.
- Removable back panel should be provided to easily access the service lines running behind the cabinet benches.
- Intermediate horizontal channels should be provided between door and drawer.
- Toe-space of 90mm X 90mm is provided at front-bottom side of cabinet.
- Levelers are provided for easy leveling of welded cabinet.
- Shelf should be eight-bend panel with 20mm height.
- Drawer tray should be of single piece construction. Drawer should be well supported on LH and RH ball slide suspension system.
- Steel door and drawer front should be of double wall construction with sound dampening material filled inside.
- Doors should be easily removable and hinges should be easily replaceable. Knee space panel should be in 22 gauge construction
- Storage Units to be of the following types:
  - Floor based Welded cabinets with metal skirting type
  - Castor-based Mobile Type
- **Dimensions:** W=300/450/580/600/750/900 mm, D = 530mm, H = 875/725 mm
- **Configurations:** 1 Shutter + 1 Drawer/4 Drawers/Leg Spaces/1 Shutter/2 Shutters/3 Drawers/2 Shutters + 1 Drawer/Sink Unit + 2 Shutters
- **MOC:** MSCRCA: IS - 513 (1994)
- **Thickness:**
  - LH/RH side panels, shutter front, Bottom panel, Top front, Drawer separator, shelf, Alignment channel is of 1.2mm thk.
  - Removable Back panel, Shutter cover, Fr. Rack strip, Top cover panel is of 0.8 mmthk
- **Finish:** Powder coating pure epoxy, thickness 40-50 microns
- **Handle:** Anodized Aluminum Recessed-Type, CTC: 160.0mm
- **Lock:** Units have a locking facility with 180° and 10 lever cam lock mechanism (except for sink and corner unit)

- **Hinge:** SS Hinge    **Screw:** SS 304

Shutter should be of twin-type construction with sound dampening effect using profill. Shutter cover should be equipped with Bump on for sound dampening. Base Moulding should be made of PVC with corner clips. Ball Slide: 500mm Length (Godrej-Make or Equivalent) (required only for drawer unit). Shutter should have provision of roller catch

#### **COVER / FILLER PANELS**

All side cover panels and back panels, filler panels should be made from CRCA MS panels of 1.0mm thickness with pure epoxy powder coating

#### **MASTER UPRIGHT**

Master Upright should be of the dimensions: 300 x 150 x 1.2 mm. It should be made from 1.2mm thick CRCA MS with pure epoxy powder coating. It should have an open-able door for easy service maintenance and should extend till the false ceiling

#### **SERVICE FITTINGS AND ACCESSORIES**

Service fittings should be laboratory grade, and water faucets and valve bodies should be cast red brass alloy or bronze forgings, all fittings should be powder plated unless specified otherwise. **Service Indexes:** Fittings should be identified with service indexes in the color coding as per DIN 12920.

#### **ELECTRICAL TRUNKING**

- Electrical trunking is made up of 0.8mm thick CRCA MS Sheet or SS 304 (as per schedule of quantities)
- The complete M.S. material of cabinet should be pre-treated (degreased, Zinc phosphated) and epoxy powder coated for better corrosion resistance.
- The thickness of powder coat should be 45-50 microns, which passes the test of Salt Spray for 1000 hours.
- It should have a high temperature withstanding capacity with excellent electrical insulation properties.
- The rear portion of above accessories which is in contact with live metal should be made from thermo set material which will not melt on heating.

#### **FIXED TYPE REAGENT SHELVES**

Fixed-Type reagent shelves should be provided. It should be complete modular design consisting of 2 stage horizontal storage shelves made of CRCA MS with pure epoxy powder coating and having cutouts for electrical switches and sockets. It should have provision for placing Granite pieces (as per requirement in BDD)

#### **ELECTRICAL ACCESSORIES (SWITCHES & SOCKETS)**

- These are made of High gloss virgin grade engineering thermoplastics to impart a defect free surface.
- They impart excellent electrical insulation properties i.e. do not melt on heating or catches fire.
- Owing to this all electrical switches and sockets are capable of handling higher currents and operating temperatures.
- Front plates can be changed at any time with ease without disturbing the wiring to quickly and economically match changes in the surroundings.

#### **LABORATORY SINK AND ACCESSORIES**

- It should be made up of 5 mm thick high density and elastic poly propylene with good resistance to organic solvents
- PP Bottle-traps should be offered with PP Sinks
- Standard bowl size (L x W x D) should be 560 x 355 x 300 mm
- I-way Faucet should be provided of Branded make

#### **PEGBBOARD (MOC: SS)**

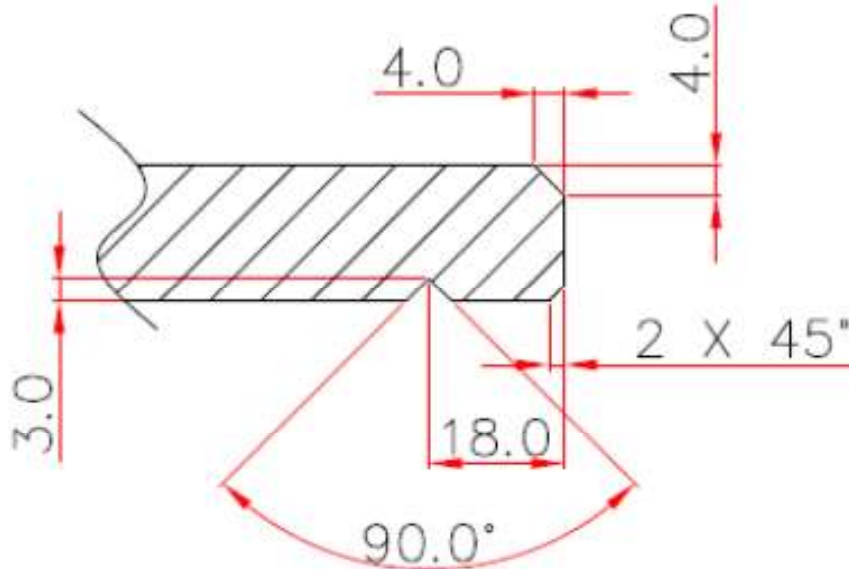
- These should be Single faced high grade stainless steel pegboard having a tray hole for water drainage and detachable pegs.
- The essence should be made up of 1 mm thick stainless steel (SS 304) whereas the pegs should be made up of polypropylene and will be adjustable with a minimum 10mm distance between each peg

#### **WELDED OVER-HEAD STORAGE CABINETS**

The construction should be the same as the under-bench cabinets. The height of these cabinets should be around 635mm while the depth should be around 340mm. The shutters should be available in two options: Metal shutters and Metal frame with inserted glass. There should be one height-adjustable shelf inside each cabinet. Other construction should be similar to under-bench cabinet

## WORKTOP

Jet Black Granite: It should be 19mm (+/- 2mm) thick Jet Black Granite worktop. The exposed edges of the worktop should be chamfered and smoothed. The bottom of the worktop should be polished and there should be a V-groove throughout the length of the exposed edges to protect the cabinets from coming in contact with the spillages. The overhang on the storage cabinet is 25 mm at the front side and 30 mm at the sides. The backing material used is a neoprene mat of 6 mm thickness. A representation the worktop edges is shown as under



**Product Certifications :** Fusion Cabinets are tested as per SEFA 8M standard from a SEFA approved Lab and also tested as per EN 14727 from a third party testing agency.

**Testing Clause :** Welded Cabinets should be tested for SEFA 8M from a SEFA approved lab and EN-14727 from a third party testing agency for the tests whose details are mentioned in Annexure 'A' and the name of model offered should be listed in SEFA's website. The Bidder to ensure that the supplies are made out of the approved & tested standards of the SEFA 8M.

### LIST OF APPROVED MAKES

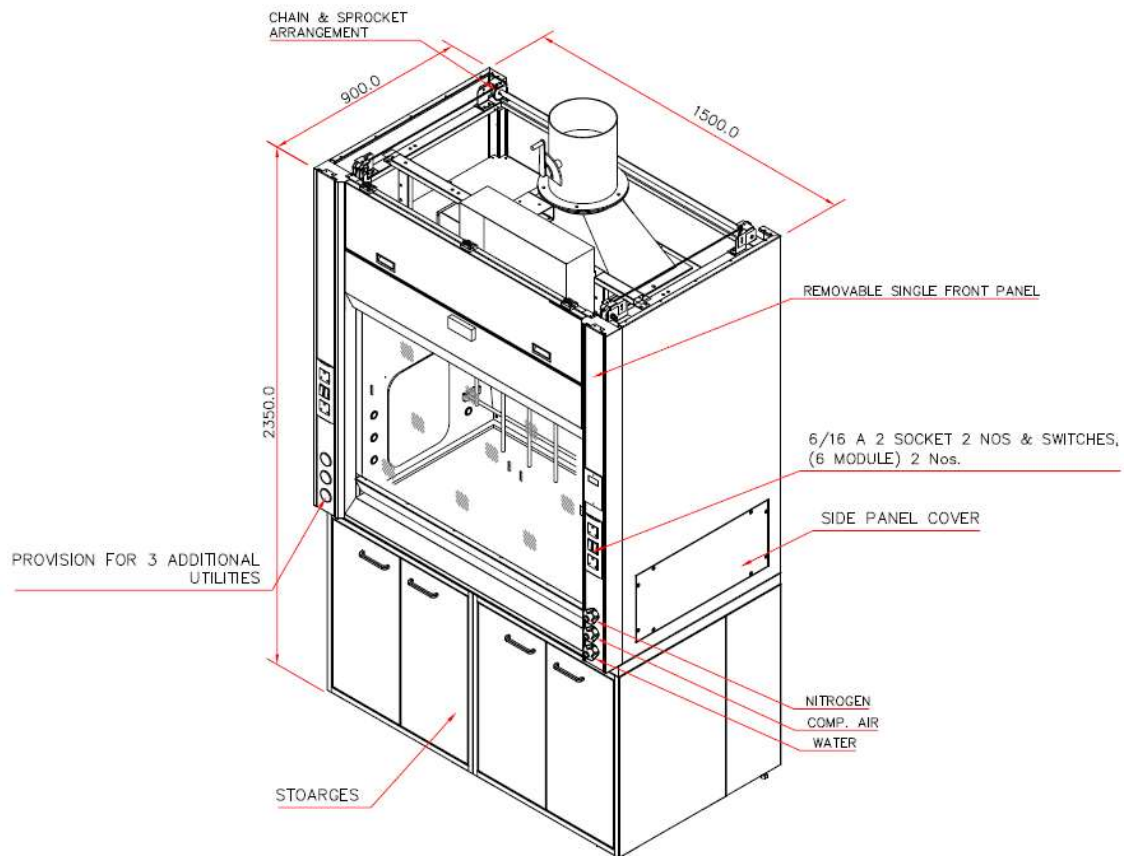
Steel	TATA Steel, JINDAL Steel or Equivalent
Powder Coating	Kansai Nerolac, Berger Paints, Asian Paints or Equivalent
Emergency Devices, Water Faucets and Gas Valves, Fume Hood Utility Fittings	Watersaver, Broen, Premier or Equivalent
Switches and Sockets, Data and LAN points	Northwest, Norisys or Equivalent
Locks	Hettich, Hafele, Godrej or Equivalent
Drawer Slides	Hettich, Hafele, Godrej or Equivalent
Sink (PP Sink)	Premier, KL Labs or Equivalent
Worktop	Jet Black Granite or Equivalent

### TECHNICAL SPECIFICATIONS - FUME HOODS

- Superstructure Frame – It should be a free-standing rigid panel structure of steel (G.I.)
- Interior Walls - Double wall ends, not more than 6" wide, should be provided to maximize interior working area. The area between the double wall ends should be closed to house the remote control valves. Cut-outs should be provided inside the fume hood for service line accessibility. The same to have a cover with a fastener free design. The vertical fascias shall contain the required service controls, electrical switches and receptacles.



- Airfoil - A streamlined airfoil should be integral at the bottom of the hood opening on bench and distillation hoods. This foil shall provide a nominal 20mm open space between the foil and the top front edge of the work surface to direct an air stream across the work surface to prevent back flow of air. The sash should be provided with a separate handle which also provides for air flow when in completely closed position. The foil should be of 1.2mm steel to resist denting and flexing.
- Baffles - A stable, non-adjustable baffle with a single slot on the back baffle to aid in distributing the flow of air into and through the hood. The baffle should be spaced out from the back liner and should be removable for cleaning.
- Duct Collar - A 8"-10" diameter polyethylene funnel shaped rectangular duct collar should be located in the top of the hood plenum chamber.
- Lighting- Two CFL tubes of 40 watts each should be provided in the fume hood. The lighting fixture should be completely outside the fume hood area.
- Sash - A combination sash should be provided. The sash should have horizontal sliding glass panels in a vertical rising steel frame. The bottom of the sash frame should have a full length metal handle. The sash track has minimum protrusion to avoid any kind of turbulence. The sash should be counterbalanced with a weights to prevent tilting and binding during operation. The glass panels should be 5mm toughened glass mounted in an levelled channel with roller for smooth operation.
- Plumbing Services - Utility services like Vacuum, Nitrogen, Compressed Air & Raw water (as per Schedule of Quantity) shall consist of remote control valves as selected located within the end panels, controlled by in and out facility with flexible hose passing through the side panels of the hood, with color coded plastic handles. Interior fitting for gases and water should be with powder coated brass. All gas valves for regular lab gases to have standard needle valve and push and turn type arrangement for all burning gases should be supplied. All supplied valves to clear the following pressure test conditions: Gas Fittings - 7 bar, Water fittings - 10 bar.
- Electrical Services - The hood superstructure should be fully wired and should have a control box with MCB blower starter all safety devices like trip etc. Inlet should be of 3 phase power supply and the whole electrical should be of plug and play type. It also has 4 nos. electrical sockets and switches of Northwest make or equivalent (230V, 5/16 A, 50 Hz)
  
- Liner - Interior liner panels should be 6 mm thick Phenol resin based industrial laminate.
- Lattice Rod Assemblies - 12mm dia solid SS rods should be clamped with the PP clamps to form a lattice arrangement to hold the test samples and rotors within the fume hood.
- Centrifugal Blower - Silent high efficiency remote blower consisting of continuous rating motor and chemical resistant impellar. The blower should be designed to give a face velocity at safe working height as per the international safe velocity norms. (ANSI/AIHA Z9.5). The blower body should be polypropylene UV treated, high density and chemical (corrosion) resistant and mounted on a metallic stand.
- Ducting - Rigid Ducting of PP (Polypropylene) + FRP (Fibre Reinforced Polyester) and flexible ducting with flanges, bends, damper transitions, clamps etc. Flexible joint should be provided in the ducting in order to avoid transmitting the blower vibrations to the hood. A weather proof rain cowl is provided at the outlet of blower.



- Base Cabinets – Fume hoods are designed to rest on a bench (high base stand, pedestal or a cabinet) which is a complete rigid steel structure. Gauge of steel used in its construction should be 0.8 mm GI for apparatus storages. An FRV mould should be inserted inside the cabinet wherever acid storages are required (as per BOQ requirement).
- Ceiling Enclosures - Use to enclose space between front top and ceiling of Concept fume hood superstructure also provides enclosure for raised sash.
- Transition – Used to connect fume hood with ducting. They are designed to reduce the static pressure and are made up of Poly-propylene of 6 mm thickness.
- Work Surface – Standard hood work surface should be 18mm thick jet black granite made in the form of a watertight pan, not less than 7 mm deep to contain spillage. Worktop will have oval shaped 102 mm X 175 mm 'PP' Cup-Sink for drainage. Top should be manufactured at the same manufacturing location as the fume hood to assure proper cut-out alignment and coordinated shipping. The work surface and cup drain should be available in black.

<ul style="list-style-type: none"> <li>▪ LIST OF APPROVED MAKES</li> </ul>	<ul style="list-style-type: none"> <li>▪ TATA Steel, JINDAL Steel/SAIL RNL or equivalent</li> </ul>
<ul style="list-style-type: none"> <li>▪ Powder Coating</li> </ul>	<ul style="list-style-type: none"> <li>▪ Kansai Nerolac, Berger Paints, Asian Paints &amp; Nerolac or equivalent</li> </ul>
<ul style="list-style-type: none"> <li>▪ Emergency Devices, Water Faucets and Gas Valves, Fume Hood Utility Fittings</li> </ul>	<ul style="list-style-type: none"> <li>▪ Watersaver, Broen, Premier or equivalent</li> </ul>

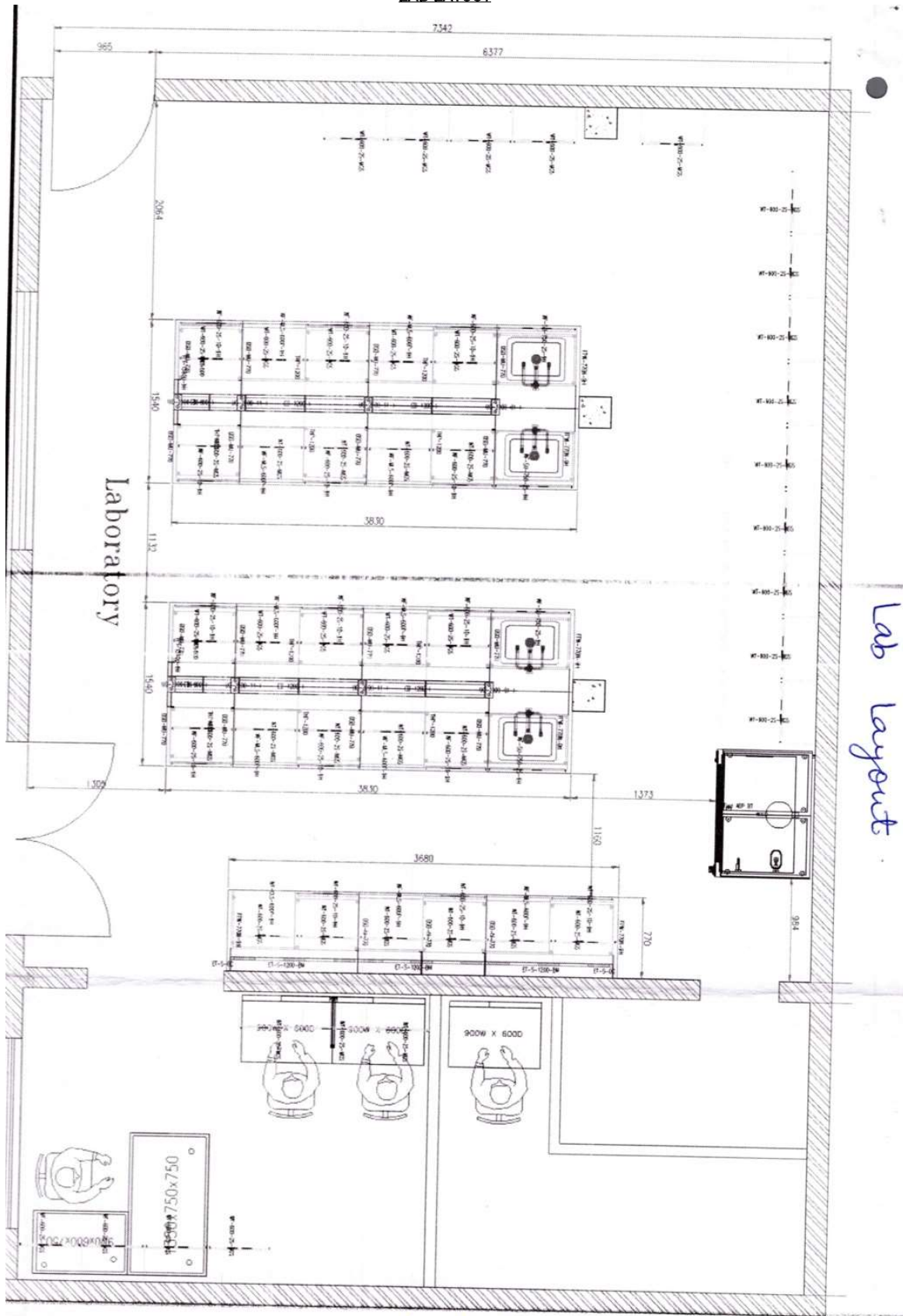
<ul style="list-style-type: none"> <li>Switches and Sockets, Data and LAN points</li> </ul>	<ul style="list-style-type: none"> <li>Northwest, Norisys or equivalent</li> </ul>
<ul style="list-style-type: none"> <li>Locks</li> </ul>	<ul style="list-style-type: none"> <li>Hettich, Hafele, Godrej or equivalent</li> </ul>
Drawer Slides	<ul style="list-style-type: none"> <li>Hettich, Hafele, Godrej or equivalent</li> </ul>
Sink (PP Sink)	<ul style="list-style-type: none"> <li>KL Labs, Premier or equivalent</li> </ul>
Worktop	<ul style="list-style-type: none"> <li>Jet Black Granite or equivalent</li> </ul>
Storages for Flammable items	<ul style="list-style-type: none"> <li>Justrite, Asecos or equivalent</li> </ul>
Blowers	<ul style="list-style-type: none"> <li>Colasit, Premier or equivalent</li> </ul>
Spot Extractors	<ul style="list-style-type: none"> <li>Fumex, Alsident or equivalent</li> </ul>

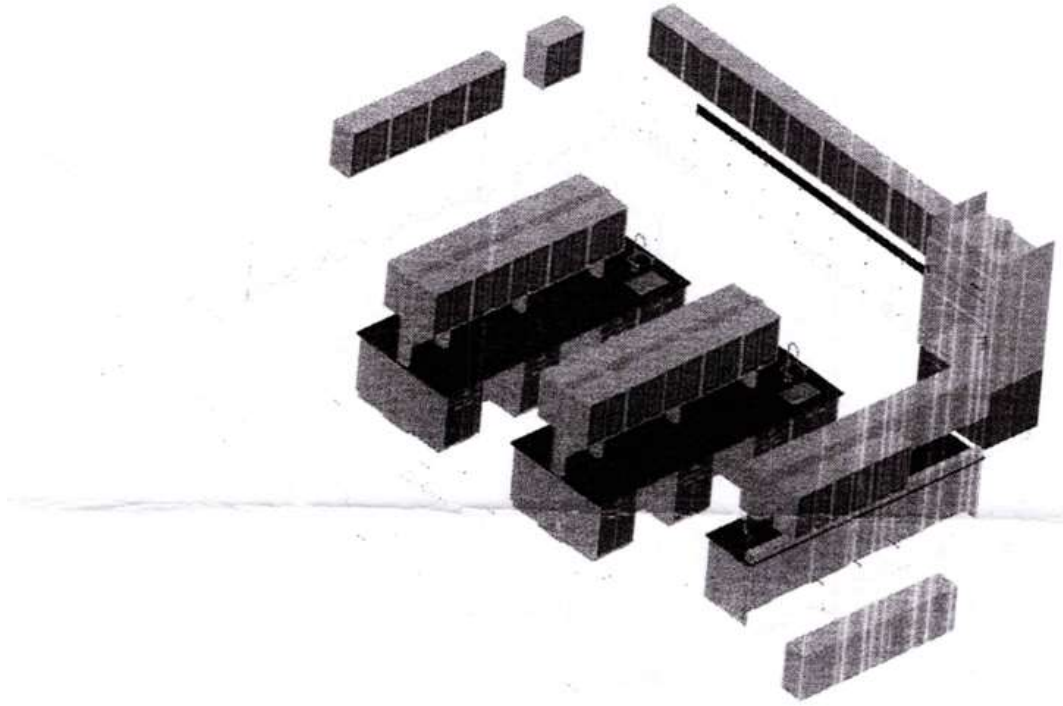
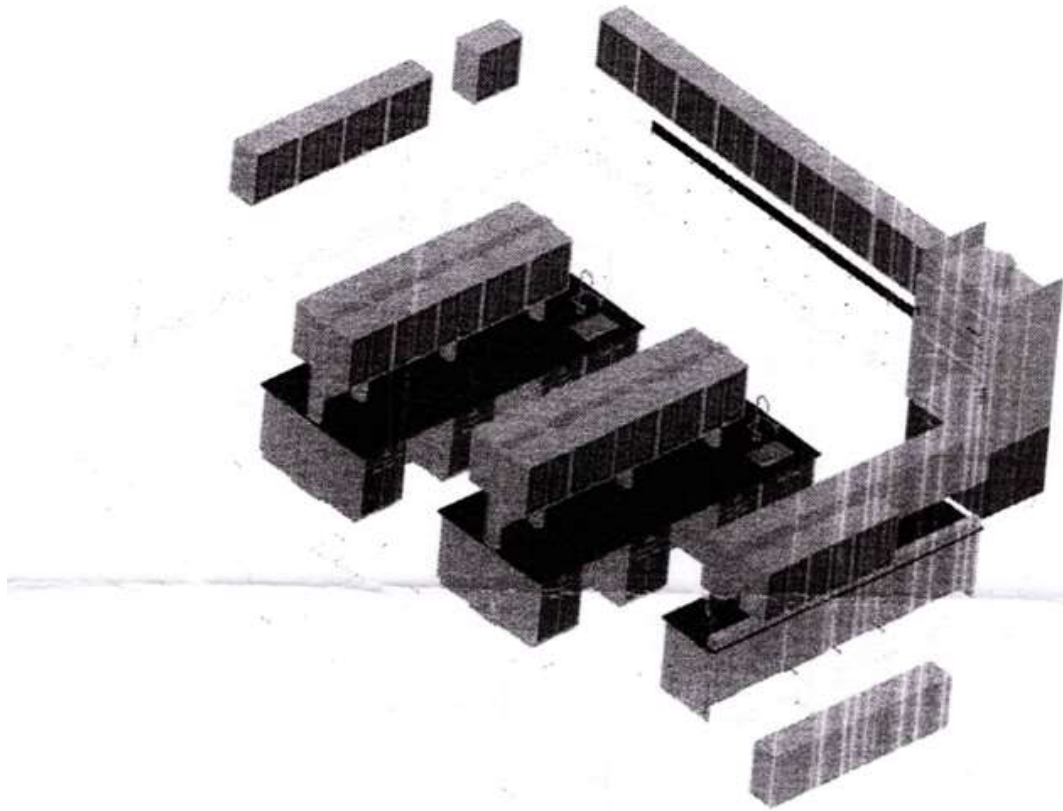
#### BILL OF QUANTITY (BOQ)

S.No.	ITEM TITLE	ITEM DESCRIPTION	QTY.	UNIT OF MEASURE
1	WF-SU-2S-750W-875H	Refer to Technical Specifications	4	Pieces
2	WF-MLS-P-600W-875H	Refer to Technical Specifications	10	Pieces
3	WF-CLS-P-580W-875H	Refer to Technical Specifications	1	Pieces
4	WF-2S-ID-600W-875H	Refer to Technical Specifications	15	Pieces
5	2100Ht. Island Upright With Cutout & Plain cover (Without cutout)	Refer to Technical Specifications	2	Pieces
6	2100 Ht. Island Upright wih Cutout & Cover with Cutout.	Refer to Technical Specifications	4	Pieces
7	2100 Ht. Island Plain Upright & Cover with Cutout	Refer to Technical Specifications	2	Pieces
8	600 Module Length Island Electrical boom-Cutout: 6 Module	Refer to Technical Specifications	2	Pieces
9	1200 Module Length Island Electrical Boom Cutout 6 Module + 6 Module	Refer to Technical Specifications	4	Pieces
10	Filler Panel for Wall side Furniture Without Upright 700 Wd X 875 H	Refer to Technical Specifications	6	Pieces
11	Filler Panel for Island Type Furniture With Upright 1540 Wd X 875 H	Refer to Technical Specifications	2	Pieces
12	Pp Drop-In Sink Model S 06 560 Mm (W) x 355 Mm (D)	Refer to Technical Specifications	4	Pieces
13	3 Way Water Faucet Bench Mounted, 8" Swing Gooseneck Model No. 100/32	Refer to Technical Specifications	4	Pieces
14	BSB Without Upright Wall Type _ 770WD-SET-6	Refer to Technical Specifications	1	Pieces
15	BSB With Upright _ 1540WD-SET-6	Refer to Technical Specifications	2	Pieces
16	1200 Module Length Single Side Electrical Trunking	Refer to Technical Specifications	3	Pieces

	- Cutouts: 6 Module + 6 Module + 6 Module	Specifications		
17	Outer cover for Single-Sided Wlectrical Trunking	Refer to Technical Specifications	2	Pieces
18	600 Module Length	Refer to Technical Specifications	4	Pieces
19	1200 Module Length	Refer to Technical Specifications	8	Pieces
20	WT-2S-GS-600W-635H	Refer to Technical Specifications	47	Pieces
21	Silicon Sealant – Black	Refer to Technical Specifications	2	Pieces
22	Jet Black Granite(Sq. Mt.) 20 (±2) Mm Thk	Refer to Technical Specifications	15	Pieces
23	Masking Tape	Refer to Technical Specifications	2	Pieces
24	Neoprene Strip (running Meter) (30Mm Wide & 6 Mm Thick)	Refer to Technical Specifications	60	Pieces
25	Sr-998 Glue for Neoprene Mat. (Litres)	Refer to Technical Specifications	2	Pieces
26	Z Strip for Wall Cabinet with Upright 600W	Refer to Technical Specifications	20	Pieces
27	Flexible/F Serated Connector Model: Hp 01 Make: Premier or Equivalent	Refer to Technical Specifications	4	Pieces
28	Anti-Siphon Bottle Trap Model: S 04 Make: Premier or Equivalent	Refer to Technical Specifications	4	Pieces
29	6/16A, 6 Pin shutter Socket- Model No: MI332	Refer to Technical Specifications	58	Pieces
30	6 Module Plate – Model No: Cs956M-S	Refer to Technical Specifications	29	Pieces
31	16A, 1 Way Switch Model No: MO130	Refer to Technical Specifications	58	Pieces
32	4 Feet Benchtop ABP Aeolus Fume Hood without any Accessories.	Refer to Technical Specifications	1	Pieces
33	Eco Panel (0.75 to 1 HP) with TI/BI for Aeolus Fumehood.	Refer to Technical Specifications	1	Pieces
34	LED Light for 4 to 6 Feet Aeolus fumehood	Refer to Technical Specifications	1	Pieces
35	3 Module Platewith Sockt & tiny trip for Aeolus fume Hood	Refer to Technical Specifications	2	Pieces
36	Apparatus grid for 4 Feet Benchtop Aeolus Fumehood (Epoxy)	Refer to Technical Specifications	1	Pieces
37	Raw Waer (Flexible Tubing Service Valves for Benchtop Aeolus Fumehood) (RHS)	Refer to Technical Specifications	1	Pieces
38	Compressed Air (Flexible Tubing Service valves for Benchtop Aeolus Fumehood) (RHS)	Refer to Technical Specifications	1	Pieces
39	Nitrogen (Flexible Tubing Service Valves for Benchtop Aeolus fumehood) (RHS)	Refer to Technical Specifications	1	Pieces
40	Ceiling Front Cover Panel for 4 Feet Aeolus Fumehood	Refer to Technical Specifications	1	Pieces
41	Ceiling LH/RH side Cover Panel for Aeolus fumehood	Refer to Technical Specifications	1	Pieces
42	Fixed Type Apparatus Storage Cabinet for Benchtop Aeolus Fume Hood (600 Width)	Refer to Technical Specifications	2	Pieces
43	Rear Support Panel Offixed type Apparatus Storage Cabinet for Benchtop Aeolus Fumehood.	Refer to Technical Specifications	1	Pieces

# LAB LAYOUT





## TERMS AND CONDITIONS

**Warranty:** Warranty for 01 Year and extended warranty for 02 years ~~(firm can also quote the extended warranty of 02 years on chargeable basis which will be added to the cost of the main equipment for evaluation for deciding the technically complaint lowest quoting firm, however firm will ensure the currency of the main equipment and the charges of extended warranty in the same currency failing which offer will be rejected)~~ from the date of successful installation and completion of all contractual obligation--- It will be the part of the evaluation criteria.

**Bid will be accepted in INR only**

Tendered Technical specifications of CSIR-IIIM will be the parameter of technical evaluation of the offered equipment including required warranty of the offered goods / equipment by the vendor along with eligibility criteria and other terms and conditions mentioned in the tender enquiry of CSIR-IIIMI. Vendor is requested to offer the model which completely satisfies the technical specification of CSIR- IIIM.

Any clarification on technical points asked by the technical committee of CSIR-IIIM will be for the clarity of the goods / equipment for arriving at a proper decision. Any clarification from the vendor of such nature which modifies the original quote in order to suite the technical specifications of IIIM after opening of the technical bids will not be accepted.

CSIR-IIIM reserves the right to ask the vendors / suppliers to submit the shortfall documents pertaining to CSIR- IIIM 's tender terms and conditions etc. mentioned in the tender document after opening of the bids / technical offer (under Two-Bid format) within the stipulated time failing which their technical offer may be considered as non-responsive.

Vendor has to arrange the demonstration of the offered equipment at their cost if desired by CSIR- IIIM failing which their offer will be considered as non-responsive and non-compliance to the terms & conditions of the tender document. Such demonstration, if arranged by the vendor on IIIM's request, must establish the technical specifications and parameters of the tendered technical specifications of CSIR- IIIM for the acceptance of their offer.

**Final Destination:** CSIR-Indian Institute of Integrative Medicine (IIIM), Canal Road, Jammu -180001

Other criteria for evaluation of technical specifications including technical specifications as mentioned in **Chapter-II:**

- (i) The Technical Bid should be complete with all relevant technical specifications and company printed Literature has to be provided to substantiate the major specifications of the quoted equipment. It will be the part of evaluation.

**PBG : Required.**

**@3% of the Purchase Order Value covering the period beyond two months of the warranty period for 1 Year + extended warranty period for 2 Years.**

**Installation, commissioning & demonstration:** Installation, commissioning and demonstration are to be provided by the vendor within **14 days** from the receipt of material in CSIR-IIIM / on site - **It will be the part of the evaluation criteria also- Firm is to confirm in their bid/technical bid ( in case of Two-bid format )** as per Tender Document.

**Training :**

Vendor/ supplier should provide comprehensive in-depth hands-on training of **02 working days for 02 persons** on operation and application of the equipment at CSIR-IIIM at the time of installation. **It will be the part of the evaluation criteria also- Firm is to confirm in their bid/technical bid ( in case of Two- bid format ).**

**Firm must submit :**

- Manufacturer's authorization must be provided by the authorized distributor / dealer / Indian Agent. If it is not submitted along with offer then the offer will be rejected as non-responsive.
- Manufacturer's authorization must be provided in the format as mentioned in the IIIM's Tender Enquiry.
- Firm must submit the tender based Manufacturer's Authorization (i.e. Manufacturer's Authorization must indicate the IIIM's tender/enquiry reference and date). If it is not provided then offer may be rejected.
- Firm must confirm in their Bid / Technical Bid ( In case of Two- Bid Format )

- (i) Liquidated Damage / Penalty clause as per CSIR-IIIM's tendered provision.
- (ii) CSIR-IIIM's Payment Terms.

- (iii) Validity of the bid for 180 Days from the date of opening of Bid / Technical Bid ( In case of Two-Bid Format ) should be mentioned.
- (iv) The bidders will have to provide the details of Indian Customers with whom the quoted model or substantially equivalent models have been supplied mentioning the customers contact, address, phone, e-mail etc.
- (v) The Technical Bid should be complete with all relevant technical specifications and company printed Literature has to be provided to substantiate the major specifications of the quoted equipment.

**Firm shall provide an undertaking that:-**

- (i) They will provide the uninterrupted after sales services (technical support) to ensure the Smooth operation of the instrument during the warranty period.
- (ii) For availability of all required spares after the expiry of warranty period for at least 10 years. If this undertaking is not provided then their offer may be rejected.

Firm is requested to go through the Clause No. 1.4 in Chapter -III for "Conflict of Interest among Bidders/Agents.

Mandatory check point to Bidders before uploading/submitted Tender (Attached) (Refer complete document)

**Mandatory check point to Bidders before uploading/submitted Tender**  
(Refer complete document) fill up all annexure/forms and submit the same with the technical bid.

Thanking you,  
Yours faithfully,  
(दिलीप कुमार गेहलोत)  
Stores & Purchase Officer  
(For and On behalf of The Council of Scientific & Industrial Research)  
0191-2585032. Tele Fax: 2585032  
[dilip.spo@iiim.res.in](mailto:dilip.spo@iiim.res.in), [purchase@iiim.ac.in](mailto:purchase@iiim.ac.in)



**INSTRUCTIONS TO BIDDER (ITB) FOR SUBMISSION OF QUOTATION ETC. AND TERMS & CONDITIONS**

**A. ELIGIBILITY / QUALIFICATION CRITERIA**

**1. Eligible Bidders --- Pl. also see Chapter-I.**

**1.1** Bids are invited from all indigenous/Indian and foreign manufacturers or their dealers specifically authorized by the manufacturers (see Annexure B of this document) to quote on their behalf for this tender and Indian agents of foreign principals, if any who have designed, manufactured, tested and supplied the equipment(s) similar to the type specified in the "Technical Specification". Such equipment must be of the most recent series/models incorporating the latest improvements in design.

**1.2** Either the Indian Agent on behalf of the Principal/OEM or Principal/OEM itself can bid but both cannot bid simultaneously for the same item/product in the same tender. **If both Indian Agent/Authorized Distributor and Manufacturer bid in the same tender then the quote/offer of the manufacturer will be considered/ accepted for evaluation and the offer of the Indian Agent/Authorized Distributor will be rejected due to conflict of interest. Firms are requested to comply with the Clauses of Conflict of Interest among Bidders / Agents mentioned at Point No. 1.4**

- A supplier or bidder shall be considered to be from a country if (i) the entity is incorporated in that country, or ii) a majority of its shareholding or effective control of the entity is exercised from that country, or iii) more than 50% of the value of the item being supplied has been added in that country. Indian suppliers shall mean those entities which meet any of these tests with respect to India. Foreign bidders to disclose the name and address of agent and representative in India and Indian bidder to disclose their foreign principal or associates as applicable.
- Manufacturer's authorization must be provided by the authorized distributor / dealer / Indian Agent. If it is not submitted along with offer then the offer will be rejected as non-responsive.
- Manufacturer's authorization must be provided in the format as mentioned in the IIM's Tender Enquiry.

**1.3 OEM / Authorized Dealer / Agents of Supplier :** Except in case of Commercially-Off-the-Shelf (COTS) items, when a firm sends quotation for an item manufactured by some different company, the firm is also required to attach, in its quotation, the manufacturer's authorization certificate and also manufacturer's confirmation of extending the required warranty for that product. This is necessary to ensure quotation from a responsible party offering genuine product, also backed by a warranty obligation from the concerned manufacturer.

In case of large contracts (two bid system), especially capital equipment, the manufacturer's authorization must be insisted upon on a tender specific basis, not general authorization / dealership, by so declaring in the bid documents clearly. In cases where the manufacturer has submitted the bid, the bids of its authorized dealer will not be considered.

**1.4 Conflict of Interest among Bidders / Agents :**

A bidder shall not have conflict of interest with other bidders. Such conflict of interest can lead to disqualification. A bidder may be considered to have a conflict of interest with one or more parties in this bidding process, if :

- a) They have controlling partner (s) in common; or
- b) They receive or have received any direct or indirect subsidy / financial stake from any of them; or
- c) They have the same legal representative / agent for purposes of this bid; or

- d) They have relationship with each other, directly or through common third parties, that puts them in a position to have access to information about or influence on the bid of another bidder; or
- e) Bidder participates in more than one bid in this bidding process. Participation by a bidder in more than one Bid will result in the disqualification of all bids in which the parties are involved. However, this does not limit the inclusion of the components / sub-assembly/ assemblies from one bidding manufacturer in more than one bid.
- f) In case of agents quoting in offshore procurements, on behalf of their principal manufacturers, one agent cannot represent two manufacturers or quote on their behalf in a particular tender enquiry. One manufacturer can also authorize only one agent / dealer. There can be only one bid from the following :
  - The principal manufacturer directly or through one Indian agent on his behalf; and
  - Indian / foreign agent of behalf of only one principal.
- g) A Bidder or any of its affiliates participated as a consultant in the preparation of the design or technical specifications of the contract that is the subject of the Bid;
- h) In case of a holding company having more than one independently manufacturing units or more than one unit having common business ownership / management, only one unit should quote. Similar restriction would apply to closely related sister companies. Bidders must proactively declare such sister / common business / management units in same / similar line of business.

**1.5** Bidders should not be associated, or have been associated in the past, directly or indirectly, with a firm or any of its affiliates which have been engaged by the Purchaser to provide consulting services for the preparation of the design, specifications, and other documents to be used for the procurement of the goods to be purchased under this invitation of Bids.

**1.6** If an agent submits bid on behalf of the Principal/OEM, the same agent shall not submit a bid on behalf of another Principal/OEM in the same tender for the same item/ product.

**1.7** Goods / Equipment manufacturers within India have to quote directly. Agents of Indian Goods/Equipment manufacturers who doesn't have a track record of supply of similar items i.e., installation and commissioning not done directly will not be entertained. In such cases bids submitted by Agents of Indian Equipment manufacturers would be rejected on the grounds of subletting or subcontracting. Such offers from so called agents of indigenous manufacturers will summarily be technically rejected for not following laid down Terms & Conditions of tender document and for not having any installations done by them directly.

**1.8** Bidders/vendors /supplier should have executed a job of similar nature or a supply of similar equipment of approximately the same value to any Central Government/State Government/PSUs/Autonomous bodies/Educational Institutions/National R&D Laboratories/CSIR Laboratories in India. To prove their technical capability firms need to enclose the copies of past projects /executed purchase orders of similar technical specifications. In case the Technical Committee/Purchase Committee/Decision Making Committee of the Institute does not find technical brochures or suitable technical explanations from firms then the firms concerned who fail to prove technical capability would stand rejected on technical grounds.

**1.9** Details of service support facilities that would be provided after the warranty period should be submitted in the Service Support Details Form.

1.10 That adequate and specialized expertise is already available or will be made available following the execution of the contract in the Purchaser's country, to ensure that the support services are responsive and adequate.

1.11 That the Bidder will assume total responsibility for the fault-free operation of equipment, application software, if any, and maintenance during the warranty period and provide necessary maintenance services for ten years after end of warranty period if required.

1.12 The Institute reserves the right to seek past purchase order copies from the user organizations. The past purchase order copies obtained from the user organizations will be kept entirely confidential & this will only be for tallying the prices for reaching at proper decision by Decision Making Committee of CSIR-IIIM.

1.13 The institute also may seek performance certificates from equipment manufacturers/the user organizations so as to confirm satisfactory functioning, installation & commissioning of the equipment.

1.14 In order to assess the financial solvency of a firm Director, CSIR-IIIM may seek a report from the bankers of the technically evaluated lowest quoting firm in order to assess if the firm is financially capable of executing the purchase order/work successfully.

**1.15 It will be the responsibility of the manufacturer/vendor/supplier to arrange the demonstration of the offered equipment at their cost if desired by CSIR-IIIM failing which their offer will be considered as non-responsive and non-compliance to the terms & conditions of the tender document. Such demonstration, if arranged by the vendor on IIIM's request, must establish the technical specifications and parameters of the tendered technical specifications of CSIR-IIIM for the acceptance of their offer.**

1.16 Bidders who meet the criteria given above are subject to be disqualified, if they have made untrue or false representation in the forms, statements and attachments submitted in proof of the qualification requirements or have a record of poor performance, not properly completing the contract, inordinate delays in completion or financial failure, etc.

1.17 If before/after the placement of the Purchase Order it is found/noticed that the supplier has been black-listed/debarred by any firm then such supplier will be dropped from the tendering process as technically not suitable to quote or order will be cancelled. Thus, black-listed/debarred firms are requested not to participate in our tendering process.

**The bidders who have been temporarily suspended or removed from the list of registered suppliers by the purchaser or banned from Ministry / Country wide procurement shall be ineligible for participation in the bidding process.**

- **1.18** *Any additional bid participation criteria/eligibility conditions etc. mentioned in the Technical Specifications (Chapter II) sheet will also form part of the Qualification Requirements along with those mentioned in this chapter.*
- **1.19** CSIR-IIIM reserves the right to ask the vendors/prospective bidders to submit the shortfall documents pertaining to their eligibility criteria, if not readable, mentioned in the tender document after opening of the bids / technical offer (under Two-Bid Format) within the stipulated time failing which their technical offer may be considered as non-responsive. No document pertaining to eligibility criteria will be asked for submission after opening of bids and offer will be rejected.

1.20 (i) Indigenous manufacturers and their authorized dealers are eligible and they will be considered as Local Supplier Class-I/II for price preferences as per GOI Notification vide OM bearing No. P- 45021/2/2017-PP (BE-II) dated 04<sup>th</sup> June, 2020 and again on 16<sup>th</sup> September 2020 issued by Department of Industry and Internal Trade (Public Procurement Section), Ministry of Commerce & Industry, Govt. of India or by the competent Ministries/Departments in pursuance of this order. Class I Local Supplier will be categorized as per OM bearing no. F.1/4/2021-PPD dated 18/05/2023 issued by Public Procurement Division, Department of Expenditure, Ministry of Finance, Govt. of India as follows:-.

"Class-I Local Supplier", under PPP-MII Order, participating in any government tender, may or may not be MSEs as defined under the MSME Act. Similarly, MSEs participating in any government tender may or may not be Class - I Local Suppliers. Suppliers may be categorised in following four broad categories for consideration or applicability of purchase preference.

Category	Terminology
Supplier is both MSE & Class I Local Supplier.	"MSE Class - I Local Supplier".
Supplier is MSE but not Class - I Local Supplier.	"MSE but non-Class I Local Supplier".
Supplier is not MSE but is Class - I Local Supplier.	"Non-MSE but Class - I Local Supplier.
Supplier is neither MSE nor Class - I Local.	"Non-MSE non-Class - I Local Supplier.

**Minimum Local Content:** The 'local content' requirement to categorize a supplier as Class I local supplier is minimum 50%. For 'Class II local supplier', the 'local content' requirement is minimum 20%.

Class I local supplier at the time of tender, bidding or solicitation shall be required to indicate percentage of local content and provide self-certification that the item offered meets the local content and provide self-certification that the item offered meets the local content requirement for Class I local supplier/Class II local supplier, as the case may be. They shall also give details of the location(s) at which the local value addition is made.---Format as Annexure S is to be submitted by all the bidders.

**"Class-II local supplier"** means a supplier or service provider, whose goods, services or works offered for procurement, meets the minimum local content of 20% as prescribed for 'Class-II local supplier' but less than that prescribed for 'Class-I local supplier' in DIPP OM No. P-45021/2/2017-PP (BE-II) dated 16 September 2020 or by the competent Ministries/Departments in pursuance of this order.

(i) In pursuant of the clarification vide GOI Notification vide OM bearing No. P-45021/102/2019-PP(BE- II) (E-29930) dated 26.11.2020 issued by Public Procurement Section, Department of Promotion of Industry and Internal Trade, Ministry of Commerce and Industry, GOI that **bidders offering imported products will fall under the category of Non-Local Suppliers** and they can't claim themselves as Class-I local supplier/Class-II local supplier by claiming profit, warehousing, marketing, logistic, freight etc. as local value addition.

(ii) Since it is Global Tender Enquiry (GTE) thus non-supplier in terms of GOI Notification vide **OM bearing No. P-45021/2/2017-PP(BE-II) dated 04<sup>th</sup> June, 2020 and again on 16<sup>th</sup> September 2020 issued by Department of Industry and Internal Trade (Public Procurement Section), Ministry of Commerce & Industry, Govt. of India** are also eligible for participation in the tender.

(iii) In pursuant of the OM bearing No. F.N. 6/18/2019-PPD dated 23.07.2020 issued by Public Procurement Div., Department of Expenditure, Ministry Of Finance, Govt. of India the manufacturer/supplier are not eligible for participation if they are from such country which shares the land border with India. Offered items manufactured or having any commercial arrangements with such countries will not be considered. ---Format as Annexure R is to be submitted by all the bidders.

1.21 Micro and Small Enterprises (MSE) must, along with their offer, provide proof of their being registered as MSE (indicating the terminal validity date of their registration) for the item tendered.

MSEs would be treated as owned by Scheduled Caste/Schedule Tribe enterprises as under:

1. In case of proprietary MSE, proprietor (s) shall be SC/ST.
2. In case of partnership MSE, the SC/ST partners shall be holding at least 51% (fifty one percent) shares in the unit.
3. In case of Private Limited Companies, at least 51% (fifty one percent) share shall be held by SC/ST promoters.

MSEs owned by women shall also be determined as per the above analogy / criteria.

1.22 Any bidder must declare, whether asked or not in a bid document, any previous transgressions of such a code of integrity with any entity in any country during the last three years or of being debarred by any other Procuring Entity including the CSIR Labs/Institutes. Failure to do so would amount to violation of this code of integrity.

1.23 Bids from Joint Ventures, Consortium of Associations so long as they are formed and registered prior to the bid submission date.

#### 1.24 Code of Integrity

The bidders/suppliers should sign a declaration about abiding by the Code of Integrity for Public Procurement in bid documents. In case of any transgression of this code, the bidder is not only liable to be removed from the list of registered suppliers, but it would be liable for other punitive actions such as cancellation of contracts, banning and blacklisting or action in Competition Commission of India, and so on.

**Code of integrity for Public Procurement:** The Purchaser as well as bidders, suppliers, contractors and consultants should observe the highest standard of ethics and should not indulge in the following prohibited practices, either directly or indirectly, at any stage during the procurement process or during execution of resultant contracts:

- i) **"Corrupt practice":** making offers, solicitation or acceptance of bribe, rewards or gifts or any material benefit, in exchange for an unfair advantage in the procurement process or to otherwise influence the procurement process or contract execution;
- ii) **"Fraudulent practice":** any omission or misrepresentation that may mislead or attempt to mislead so that financial or other benefits may be obtained or an obligation avoided. This includes making false declaration or providing false information for participation in a tender process or to secure a contract or in execution of the contract;
- iii) **"Anti-competitive practice":** any collusion, bid rigging or anti-competitive arrangement, or any other practice coming under the purview of the Competition Act, 2002, between two or more bidders, with or without the knowledge of the purchaser, that may impair the transparency, fairness and the progress of the procurement process or to establish bid prices at artificial, non-competitive levels;
- iv) **"Coercive practice":** harming or threatening to harm, persons or their property to influence their participation in the procurement process or affect the execution of a contract;
- v) **"Conflict of interest":** participation by a bidding firm or any of its affiliates that are either involved in the consultancy contract to which this procurement is linked; or if they are part of more than

one bid in the procurement; or if the bidding firm or their personnel have relationships or financial or business transactions with any official of purchaser who are directly or indirectly related to tender or execution process of contract; or improper use of information obtained by the (prospective) bidder from the purchaser with an intent to gain unfair advantage in the procurement process or for personal gain; and

vi) **“Obstructive practice”**: materially impede the purchaser’s investigation into allegations of one or more of the above mentioned prohibited practices either by deliberately destroying, falsifying, altering; or by concealing of evidence material to the investigation; or by making false statements to investigators and/or by threatening, harassing or intimidating any party to prevent it from disclosing its knowledge of matters relevant to the investigation or from pursuing the investigation; or by impeding the purchaser’s Entity’s rights of audit or access to information;

**Obligations for Proactive disclosures**

i) The Purchaser as well as bidders, suppliers, contractors and consultants, are obliged under Code of Integrity for Public Procurement to sue-moto proactively declare any conflicts of interest (coming under the definition mentioned above – pre-existing or as and as soon as these arise at any stage) in any procurement process or execution of contract. Failure to do so would amount to violation of this code of integrity; and

ii) The bidder must declare, whether asked or not in a bid document, any previous transgressions of such a code of integrity with any entity in any country during the last three years or of being debarred by any other Procuring Entity. Failure to do so would amount to violation of this code of integrity;

iii) To encourage voluntary disclosures, such declarations would not mean automatic disqualification for the bidder making such declarations. The declared conflict of interest would be evaluated and mitigation steps, if possible, taken by the purchaser.

**Punitive Provisions**

Without prejudice to and in addition to the rights of the Purchaser to other penal provisions as per the bid documents or contract, if the Purchaser comes to a conclusion that a (prospective) bidder/supplier, directly or through an agent, has violated this code of integrity in competing for the contract or in executing a contract, the purchaser may take appropriate measures including one or more of the following:

**i) If his bids are under consideration in any procurement:**

- a) As mentioned in Bid Security Declaration Form (Chapter VI);
- b) Calling off of any pre-contract negotiations; and
- c) Rejection and exclusion of the bidder from the procurement process.

**ii) If a contract has already been awarded**

- a) Cancellation of the relevant contract and recovery of compensation for loss incurred by the purchaser;
- b) Forfeiture or encashment of any other security or bond relating to the procurement;
- c) Recovery of payments including advance payments, if any, made by the purchaser along with interest thereon at the prevailing rate.

**iii) Provisions in addition to above:**

- a) Removal from the list of registered suppliers and banning/debarment of the bidder from participation in future procurements of the purchaser for a period not less than one year;
- b) In case of anti-competitive practices, information for further processing may be filed under a signature of the Joint Secretary level officer, with the Competition Commission of India;

- c) Initiation of suitable disciplinary or criminal proceedings against any individual or staff found responsible.

**1.25** In pursuant of the OM bearing No. F.N. 6/18/2019-PPD dated 23.07.2020 issued by Public Procurement Div., Department of Expenditure, Ministry Of Finance, Govt. of India and IIM's regarding restrictions on procurement from a bidder of a country which shares a land border with India, firms are required to submit the "Certificate as per format (Annexure R ) as mandatory eligibility criteria for acceptance of their offers. If this certificate is not provided by the firm then their offer will be rejected. No such certificate from the firm will be accepted after opening of the bids.

**Clauses:-**

- (i) Any bidder from a country which shares a land border with India will be eligible to bid in this tender/enquiry only if the bidder is registered with the Competent Authority.
- (ii) "Bidder" (including the term 'tendered', 'consultant' or 'service provider' in certain (contexts) means any person or firm or company, including any member of a consortium or joint venture (that is an association of several persons, or firms or companies), every artificial juridical person not falling in any of the descriptions of bidders stated hereinbefore, including any agency, branch or office controlled by such person, participating in a procurement process.
- (iii) "Bidder from a country which shares a land border with India" for the purpose of this Order (i.e. OM bearing No. **F.N. 6/18/2019-PPD dated 23.07.2020 issued by Public Procurement Div., Department of Expenditure, Ministry Of Finance, Govt. of India** means:-
- An entity incorporated, established or registered in such a country; or
  - A subsidiary of an entity incorporated, established or registered in such a country; or
  - An entity substantially controlled through entities incorporated, established or registered in such a country; or
  - An entity whose beneficial owner is situated in such a country; or
  - An Indian (or other) agent of such an entity; or
  - A natural person who is a citizen of such a country; or
  - A consortium or joint venture where any member of the consortium or joint venture falls under any of the above.
- (iv) The "Beneficial Owner" for the purpose of (iii) above will be as under:-
- (v)
- In case of a company or Limited Liability Partnership, the beneficial owner is the natural person(s), who, whether acting alone or together, or through one or more juridical person(s), has a controlling ownership interest or who exercises control through other means.

Explanation -

- "Controlling ownership interest" means ownership of, or entitlement to, more than twenty-five percent of shares or capital or profits of the company;
  - "Control" shall include the right to appoint the majority of the directors or to control the management or policy decisions, including by virtue of their shareholding or management rights or shareholders agreements or voting agreements;
- In case of a partnership firm, the beneficial owner is the natural person(s) who, whether acting alone or together, or through one or more juridical person, has ownership or entitlement to more than fifteen percent of capital or profits of the partnership;
  - In case of an unincorporated association or body of individuals, the beneficial owner is the natural person(s), who, whether acting alone or together, or through one or more juridical person, has ownership or entitlement to more than fifteen percent of the property or capital or profits of such association or body of individuals;
  - Where no natural person is identified (i) or (ii) or (iii) above, the beneficial owner is the relevant natural person who holds the position of senior managing official;
  - In case of a trust, the identification of beneficial owner(s) shall include identification of the author of the trust, the trustee, the beneficiaries with fifteen percent or more interest in the trust and any other natural person exercising ultimate effective control over the trust through a chain of control of ownership.

- (vi) An Agent is a person employed to do any act for another, or to represent another in dealings with third persons.
- (vii) The successful bidder shall not be allowed to sub-contract the Purchase Order (in full or in part) or any work/services mentioned in the contract/Purchase Order to any contractor from a country which shares a land border with India unless such contractor is registered with the Competent Authority.
- **Purchase preference will be given to the bidders as per the provisions of the notifications of GOI (Government of India) pertaining to Make In India Policy and MSME. These provisions will also be taken for the evaluation criteria for deciding the technically qualified and lowest quoting firm.**

1.26 Vendors are requested to get themselves registered with Government e-marketplace (GeM) as per Notification No. 6/9/2020-PPD dated 24.08.2020 issued by Ministry of Finance, Govt. of India. It is a mandatory eligibility criterion for the bidder for award of contract. If the bidder is not registered till the award of contract then they will not be eligible for placement of purchase order – Not Applicable under GTE- for foreign manufacturer's for placement of P.O. on them but Indian manufacturers as class – I/II local supplier are required for registration for placement of P.O. in INR.

## **2 Cost of Bidding**

The bidders shall bear all costs associated with the preparation and submission of its bid, and "The Purchaser", will in no case be responsible or liable for these costs, regardless of the conduct or outcome of the bidding process.



## B. THE BIDDING DOCUMENTS

### 3. Cost of Bid Document

3.1 The Tender Documents can be downloaded from the website free of cost.

3.2 The Tender Document can also be obtained / purchased on payment for Rs.500/- by way of DD drawn in favour of "The Director, Indian Institute of Integrative Medicine " payable at Jammu.

3.3 Bid to be submitted in "Single Stage Two Bid System " through CPP portal/ [etenders.gov.in](http://etenders.gov.in) (1) Techno-Commercial (Un-priced) Bid & (2) Commercial/Price Bid---As per the BOQ through CPP portal/ [etenders.gov.in](http://etenders.gov.in)

### 4 Contents of Bid Document

4.1 The goods required, bidding procedures and contract terms are prescribed in this Bid Document which includes the following

Chapter No.	Title	Sub Title	Clause No.
I.	Notice / Enquiry for Submission of offer in Single Stage Two Bid System)	-- -- -- -- --	-----
II.	Technical Specifications & Other Important Requirements pertaining to instrument	-- -- -- --	-----
III.	Instructions to Bidder (ITB) for submission of quotation etc. and Terms & Conditions	A. Eligibility/Qualification Criteria	1 - 2
		B. The Bidding Documents	3 - 5
		C. Preparation of Bids	6 - 18
		D. Submission of Bids	19 - 23
		E. Opening & Evaluation of Bids	24 - 33

		F. Payment Terms	34
		G. Penalty Clause	35
		H. Award of Contract	36 - 40
IV.	<b>Bidder Information Form</b>	-----	-----
V.	<b>Bid Form</b>	-----	-----
VI.	<b>Bid Security Form &amp; Bid-Securing Declaration Form</b>	-----	-----
VII.	<b>Manufacturer's Authorization Form</b>	-----	-----
VIII.	<b>Bidder's Performance Statement Form</b>	-----	-----
IX.	<b>Service Support Details Form</b>	-----	-----
X.	<b>Deviation Statement Form (ITB)</b>	-----	-----
XI.	<b>Technical Compliance Statement Form</b>	-----	-----
XII.	<b>Contract Form</b>	-----	-----
XIII.	<b>Declaration Form by Bidder for Code of Integrity &amp; Conflict of Interest</b>	-----	-----
XIV.	<b>Bank Guarantee for Advance Payment</b>	-----	-----
XV.	<b>Performance Bank Guarantee Format for Performance Security</b>	-----	-----
XVI.	<b>Price Schedule Form for Goods Being Offered From India ( In INR )</b>	-----	-----
XVII.	<b>Integrity Pact</b>	-----	-----
XVIII.	Certificate to be submitted by the bidding/participating firm in their letter Head regarding Land Sharing		-----
XIX.	<b>Certificate to be submitted by the bidding/participating firm in their letter Head - (Bidder's eligibility criteria Class I/II for participation)</b>		-----
XX.	<b>Format of Letter of Authority for participating in bid opening</b>	-----	-----

**4.2** The Bidder is expected to examine all instructions, forms, terms (ITB) and specifications in the bidding documents. Failure to furnish all information required by the bidding documents or submission of a bid not substantially responsive to the bidding documents in every respect will be at the Bidder's risk and shall result in rejection of the bid.

#### **5 Amendment To Bid Document**

**5.1** At any time prior to the deadline for submission of bids, the Purchaser may, for any reason, whether at its own initiative or in response to a clarification requested by a prospective bidder, modify the Bid Document by amendment. Such amendments shall form an integral part of bid documents and it shall amount to an amendment of relevant clauses of the Bid Document. It will be displayed at and IIM's website.

**5.2** The prospective bidders are required to keep a watch on the CSIR-IIM's website ([www.iim.res.in](http://www.iim.res.in)) and for any amendment to the tender document or to clarification to the queries raised by the bidders. The Purchaser reserves the right to reject the bids if the bids are submitted without taking into account these amendments/ clarifications. Further bidder will be fully responsible for downloading of the tender document and amendments thereto if any for their completeness.

**5.3** In order to allow prospective bidders reasonable time in which to take the amendment into account in preparing their bids, the Purchaser, at its discretion, may also extend the deadline for the submission of bids.

### **C. PREPARATION OF BIDS**

#### **6. Language of Bid**

**6.1** The Bid prepared by the Bidder and all correspondence and documents relating to the bid exchanged by the bidder and the purchaser shall be written in English language, provided that any printed literature furnished by the bidder may

be written in another language but it is to be accompanied by English version.

### 7.1 Documents Comprising the Bid

- The bid is required to be submitted in Single Stage Two bid format through CPP portal/ [etenders.gov.in](http://etenders.gov.in)
- Detailed Specifications, International Standards ( BIS / INTERNATIONAL ), Catalogues, List of users & Technical Details, Technical Compliance Sheet, etc. along with Operating Parameters, Pre- Installation Requirements, payment terms, warranty.
- Bid Security Form/EMD/Bid Security Declaration Form as Specified In the Invitation to Bids (ITB), if applicable
- Service Support Details Form
- Technical Specification Compliance Form
- Deviation Statement Form
- Performance Statement Form
- Manufacturer's Authorization Form etc. as required by this tender document.
- Documentary evidence establishing that the bidder is eligible to bid and is qualified to perform the contract if its bid is accepted as per the qualification requirements/criteria.  
The comprehensive Annual Maintenance Contract (CAMC) and Non-Comprehensive Annual Maintenance Contract (NAMC) terms and conditions detailing the exclusions, if any and the estimated life of the equipment offered.
- If demonstration of the goods is deemed essential to ascertain conformity with the tendered specifications, then confirmation reflecting willingness to arrange demonstration of the equipment offered free of charge at CSIR-IIIM, Jammu or any other location on a mutually agreeable date.
- **Declaration of Local Content for Local Supplier and MSE's Certificate.**
- **Declaration regarding suspension/banning/removal etc. from any Ministry / Country wide procurement / CSIR organizations and also acceptance for Code of Integrity & Conflict of Interest.**

Annual Maintenance Contract (AMC): **Not Required to be evaluated.**

~~(i) Comprehensive & Non-Comprehensive AMC rate for 03 years should be quoted separately as optional after the expiry of warranty / extended warranty. The Annual Maintenance charge would only be an estimate and would not be the basis of evaluation and selection of the technical suitably lowest quoting firm. The AMC Charges would only enable CSIR-IIIM to take a decision at a future date whether it wants to enter into an AMC for the particular equipment at the price quoted by the bidding firms. However, AMC charges will not be considered for evaluation purpose for deciding the lowest technically suitable quote.~~

### 8. Bid Prices

**8.1** The Bidder shall indicate the unit prices and total bid prices of the goods it proposes to supply under the order and enclose it with the priced bid. CSIR-IIIM is a public funded scientific R&D Centre and institute of higher studies (PhD). Please consider quoting special *prices applicable to academic institutions* as per your company policies.

**8.2** Prices indicated shall be entered separately in the following manner (For Indigenous Items):

- i. The price of the goods, quoted (ex-works, ex-factory, ex-showroom, ex-warehouse, or off-the- shelf, as applicable), including all duties and sales and other taxes already paid or payable.
- ii. Taxes: No GST Exemption certificate at reduced rates will be provided as per notification dt. 13/07/2022 of the Ministry of Finance, Govt. of India.
- iii. **We don't issue any 'Form C' or 'Form D'.**

- iv. If there is no explicit mention of taxes in your offer then quoted price will be *deemed inclusive* of such taxes. No other charges except those mentioned clearly in the quotation will be paid.
- v. Rates quoted in INR should be quoted FOR at CSIR-IIIM, Jammu inclusive of packing, forwarding charges etc. which should also be indicated separately along with the rates of goods. Installation, commissioning charges etc., if any, should also be indicated separately in the bid.
- vi. ~~Rates quoted in Foreign Currency must indicate basic Cost, FOB/FCA and CIF/CIP basis, packaging, forwarding, installation & commissioning charges etc., if any, should be indicated separately in the bid.~~
- vii. TDS will be applicable as per GST Rules.
- viii. CDEC (Custom Duty Exemption Certificate) will be provided as CSIR-IIIM is entitled for payment of Customs Duty at reduced/ concessional rates under Notification No. 51/96 dt. 23/07/1996.

### 8.3 Training & Demonstration ---- TRAINING WITH DEMONSTRATION REQUIRED DURING INSTALLATION AND COMMISSIONING.

The supplier should provide detailed onsite training at CSIR - Indian Institute of Integrative Medicine, Jammu after installations and commissioning of the said equipment at CSIR-IIIM free of cost. This training shall be to the satisfaction of CSIR-IIIM Scientists - **Vendor/ supplier should provide comprehensive training of 02 working days for 02 persons on operation and application of the equipment at CSIR-IIIM at the time of installation. It will be the part of the evaluation criteria also. It should be completed within the installation period after the receipt of equipment in CSIR-IIIM as mentioned in the Purchase Order.**

### 8.4 Installation & Commissioning:

**8.4.1** Installation & Commissioning will be the sole responsibility of the Supplier. Installation & Commissioning with all infrastructural works have to be done by the supplier. The vendor will complete the installation & commissioning within **14 days** from the date of supply of equipment to CSIR-IIIM. - **Required in this case. It will be the part of the evaluation criteria also.**

**8.4.2** Pre-requisite for installation:- Offer/bid/quotation must include pre-requisite for installation and commissioning of the goods/equipment at CSIR-IIIM. (Please see in Chapter No. II)

**8.5** Warranty: Warranty for 01 (One) year and ~~extended warranty for 02 (Two) Years~~ from the date of installation and completion of all contractual obligation. Warranty date will start from the date of installation and commissioning of the equipment ~~including comprehensive training of 04 days for 03 persons on operation and application of the equipment at CSIR-IIIM at the time of installation.~~ ---It will be the part of the evaluation criteria. (Firm shall provide an undertaking that (i) They will provide the uninterrupted after sales services (technical support) to ensure the smooth operation of the instrument during the warranty period of 01 (One) year and ~~extended warranty period of 02 (Two) years.~~ (ii) Undertaking for availability of all required spares after the expiry of warranty period for at least 10 years.

The Supplier must warrant that the goods supplied under the Contract are new, unused and the most recent or current and incorporate all recent improvements in design, materials as per specifications in this Tender Document. All Vendors (Manufacturers / Agents) must submit offers with at least warranty for **01 One year** of the equipment is complete in all respects at Site, (i.e., **CSIR- Indian Institute of Integrative Medicine, Jammu - 180001, India**) which would be considered for the tender evaluation purpose. The successful installation & commissioning date along with the date to be reckoned for start of the warranty period needs to be certified by the vendor & the user scientist. This will be the part of the evaluation criteria for selecting the technically suitable firm and price comparison as well.

The warranty offered should be unconditional and the seller should agree to replace or repair the equipment at his cost. The spare parts for the warranty repair have to be provided by the vendor.

## 8.6 Delivery Period :

### Delivery of Materials:(a)

- (i) Delivery of all materials is to be made **within 8 weeks from the date of the receipt of Purchase Order / ILC establishment as applicable**. However, it will not be the point of rejection. Offered delivery period by the bidders will be examined by the purchaser for its reasonableness. Bidders are requested to provide the shortest reasonable delivery period. Delay in delivery beyond delivery period as mentioned in the purchase order (if contract is awarded) will attract Liquidated Damages (LD Clause).
- (ii) Delivery period as mentioned in the Purchase Order will be the parameter for ascertaining the delay and imposition of Liquidated Damage Clause as per the provision mentioned in this tender document.
- (iii) The date of E-mail on which PO is sent to the firm/supplier will be considered as date of PO delivered to them.

In case of Indigenous suppliers/ bidders should mention the delivery period (**in 8 weeks**) after issue of Purchase Order/ ILC (As Applicable) must be given in the bid or Technical Bid in case of Two-Bid format. Delivery is to be made at IIM- Stores, Jammu or delivery site as mentioned in the purchase order. Delivery must be on FREIGHT PAID BASIS for dispatch by Road. If way bill is required for delivery of the material shall be arranged by the supplier on their own cost (if charges are not mentioned in price.

**(b) Extension of Delivery Period:** Delivery of the Goods and performance of the services shall be made by the Supplier in accordance with the time schedule specified by the Purchaser. If at any time during performance of the Contract, the Supplier should encounter conditions impeding timely delivery of the Goods and performance of Services, the Supplier shall promptly notify the Purchaser in writing of the fact of delay, its likely duration and its cause(s). As soon as practicable after receipt of the Supplier's notice, the Purchaser shall evaluate the situation and may, at its discretion, extend the Supplier's time for performance with or without liquidated damage, in which case the extension shall be ratified by the parties by amendment of the Contract. Except as provided under the Force Majeure Clause, a delay the supplier in the performance of its delivery obligations shall render the Supplier liable to the imposition of liquidated damages pursuant to liquidated damages Clause unless an extension of time is agreed upon pursuant to above clause without the application of penalty clause.

**8.7** Prices quoted by the bidder shall remain fixed during the entire period of contract and shall not be subject to variation on any account. A bid submitted with an adjustable price quotation will be treated as non - responsive and rejected.

**8.8** All lots and items as mentioned in the technical specifications must be listed and priced separately in the Commercial Bid. If a Price Schedule shows items listed but not priced, their prices shall be assumed to be included in the prices of other items. Lots or items not listed in the Price Schedule shall be assumed to be not included in the bid.

**8.9 Denial Clause (over and above levy of Liquidated Damage):** any increase in statutory duties and / or upward rise in prices due to the PVC (Price Variation Clause) clause and / ~~or any adverse fluctuation in foreign exchange~~ are to be borne by the seller during the extended delivery period, while the purchaser reserves the right to get any benefit of a downward revisions in statutory duties, PVC and foreign exchange rate.

## 9. Bid Currencies

### 9.1 Prices may be quoted in INR Only.

#### 10. Documents Establishing Bidder's Eligibility and Qualifications

Pursuant to ITB (Documents Comprising the Bid), the bidder shall furnish, as part of its bid, documents establishing the bidders' eligibility to bid and its qualification to perform the contract if its bid is accepted.

That the bidder meets the Qualification Requirements listed in Chapter III and elsewhere in this document.

#### 11. Documents Establishing Goods' Eligibility and Conformity to Bid Document

**11.1** The documentary evidence of the goods and services eligibility shall consist of a statement on the country of origin of the goods and services offered which shall be confirmed by a certificate of origin at the time of shipment.

**11.2** Specifications are basic essence of the product. It must be ensured that the offers are strictly as per our tendered specifications. At the same time it must also be kept in mind that merely copying our specifications in their quotation shall not make firms eligible for consideration. The documentary evidence of conformity of the goods and services to the Bid Document may be in the form of literature, drawings and data, and shall consist of:

(i) A detailed description of the essential technical and performance characteristics of the goods;

(ii) A list giving full particulars, including available sources and current prices, of spare parts, special tools, etc., necessary for the proper and continuing functioning of the goods for a period of 10 years, following commencement of the use of the goods by the Purchaser; and

(iii) An item-by-item commentary on the Purchaser's Technical Specifications demonstrating substantial responsiveness of the goods and services to those specifications or a statement of deviations and exceptions to the provisions of the Technical Specifications.

**11.3** For purposes of the commentary to be furnished pursuant to above, the Bidder shall note that standards for workmanship, material and equipment, and references to brand names or catalogue numbers designated by the Purchaser in its Technical Specifications are intended to be descriptive only and not restrictive. The Bidder may substitute alternative standards, brand names and/or catalogue numbers in its bid, provided that it demonstrates to the Purchaser's satisfaction that the substitutions ensure substantial equivalence to those designated in the Technical Specifications. Technically unsuitable offers, offers not conforming to tender schedule shall be rejected.

## 12. Bid Security/EMD (Earnest Money deposit)

**12.1** Bid Security/EMD (Earnest Money deposit) may be furnished in the following forms.

(i) **Demand Draft:** Bidder can submit the EMD with Account Payee Demand Draft in favour of **Director, CSIR-Indian Institute of Integrative Medicine, Jammu** payable at Jammu.

Bidder has to upload scanned copy/proof of the DD along with the bid and has to ensure delivery of hardcopy to the Buyer within 5 days of Bid End date/Bid Opening date.

(ii) **Fixed Deposit Receipt:** Bidders can also submit the EMD with Fixed Deposit Receipt made out or pledged in the name of A/C (Name of the Buyer). The bank should certify on it that the deposit can be withdrawn only on the demand or with the sanction of the pledgee. For release of EMD, the FDR will be released in the favor of the bidder by the Buyer after making endorsement on the back of the FDR duly signed and stamped along with covering letter.

Bidder has to upload scanned copy/proof of the DD along with the bid and has to ensure delivery of hardcopy to the Buyer within 5 days of Bid End date/Bid Opening date.

(iii) **NEFT/RTGS :** Bidders can also submit the EMD with Payment online through RTGS/internet banking in Beneficiary name.

Director, CSIR-Indian Institute of Integrative Medicine, Jammu

Account No. 30186230982

IFSC Code: SBIN0000657

Bank Name: State Bank of India

Branch: Hari Market Jammu

Bidder has to indicate Tender no and name of the bidding entity in the transaction details field at the time of on line transfer. Bidder has to upload scanned copy /proof of the online payment transfer along with the technical bid.

(iv) **Annexure C:** Bidder can also submit the EMD as per the annexure C of this tender document.,

Bidder has to upload scanned copy/proof of submission of the EMD along with the bid and has to ensure delivery of hardcopy to the Buyer within 5 days of Bid End date/Bid Opening date.

**Note: Whenever, the bidder chooses to submit the Performance Security in the form of Bank Guarantee, then he should advise the banker issuing the Bank Guarantee to immediately send by Registered Post (A.D.) an unstamped duplicate copy of the Guarantee directly to the Purchaser with a covering letter to compare with the original BG for the correctness, genuineness, etc.**

**13. Period of Validity of Bids**

**13.1 Bids must remain valid for at least 180 days** after the date of bid opening prescribed by the Purchaser. A bid valid for a shorter period may be rejected by the Purchaser as non-responsive.

**13.2** In exceptional circumstances, the Purchaser may solicit the Bidder's consent to an extension of the period of validity. The request and the responses thereto shall be made in writing (or by cable, telex, fax or e mail). The bid security provided under Clause No. 12 shall also be suitably extended. A Bidder may refuse the request without revalidating its bid security. A Bidder granting the request will not be required nor permitted to modify its bid. .

**13.3** Bid evaluation will be based on the bid prices without taking into consideration the above corrections.

**14.** Submission of detailed requirements for installation & commissioning of the goods/equipment All Vendors / Agents must submit full details and requirements for Installation & Commissioning of the Equipment as per Technical Specifications submitted by them.

- (i) Water Supply (Filtered, Flow rate).
- (ii) Civil Works including Foundation, Flooring.
- (iii) Mechanical and Fabrication work required.
- (iv) Ambient Temperature Control (if required, as applicable).
- (v) Cooling requirement (if any).
- (vi) Electrical and Power requirements.
- (vii) Space and Dimensions for Installation of the equipment as per the Quotation of the Vendor.
- (viii) Requirements of Special Gases, if any.

**15. BIS/International Specifications:**

15.1 Applicable BIS / INTERNATIONAL standards (like ISO etc.) may be provided Specification must be mentioned in the Technical Bid. Valid Certificate of Calibration traceable to International Standards must be indicated in the Technical Bid, if applicable.

**16. Patent Right & IPR Laws:**

16.1 The supplier shall indemnify the purchaser against all third party claims of infringement of Patent, Trademark or Industrial Design Rights arising from the use of Goods or any part thereof in the Purchaser's country. The vendor should be sure about his claim on the ownership of technology and total compensation in the event of a claim should be paid to the buyer in case of patent infringement.

**17. Right to Information Act, 2005**

17.1 The tenderer may indicate if any information in his tender includes information of commercial confidence, trade secrets or intellectual property, the disclosure of which would harm the competitive position of your company.

**18. Format and Signing of**

18.1 The original and all copies of the bid shall be typed or written in indelible ink and shall be signed by the Bidder or a person or persons duly authorized to bind the Bidder to the Contract. All pages of the bid, except for un-amended printed literature, shall be initialized / endorsed by the person or persons signing the bid.

18.2 Any interlineations, erasures or overwriting shall be valid only if the persons or persons signing the bid initial them.

18.3 The Bidder shall furnish information on commissions or gratuities, if any paid or to be paid to agents relating to this Bid, and to contract execution if the Bidder is awarded the contract as per the bid form.

18.4 Bid to be submitted in "Single Stage Two Bid System " through CPP portal/ etenders.gov.in . (1) Techno-Commercial (Un-priced) Bid &

(2) Commercial/Price Bid--- As per BOQ submitted through CPP portal/ etenders.gov.in.

**D. SUBMISSION OF BIDS**

**19. Submission, Sealing and Marking of Bids**

19.1 The bidders may submit their duly sealed bids through CPP portal/ etenders.gov.in. (Bids received by FAX/E-mail would not be considered for evaluation.)

19.2 In the case of bids invited on single bid basis, the Bidders shall seal the original and each copy of the bid in separate inner envelopes, duly marking the envelopes as "original" and "copy". The envelopes shall then be sealed in an outer envelope. --- **Not Applicable this case.**

19.3 In the case of bids invited on **two-part basis (Single Stage Two Bid Format)**, the Bidder shall upload their technical bid and price bid (as per the BOQ) separately, **-Applicable this case.**

19.4 (a) The bid should be addressed to the **Director, IIM, Jammu & Kind Attention:- Stores & Purchase Officer CSIR-IIM, Jammu (Designation and Address of the officer concerned)**



Bid to be submitted in “**Single Stage (Two Bid System)**” through CPP portal/ etenders.gov.in

~~19.5 If the outer envelope is not sealed and marked as required above, the Purchaser will assume no responsibility for the bid's misplacement or premature opening. In such cases, bids received in open condition within the due date and time will be accepted at the risk of the bidder if the same is presented to the Stores & Purchase Officer before expiry of the due date and time of opening of the bids.~~

~~19.6 Firms submitting bids in a single envelope against the requirement of two-bid system would be considered for further evaluation at the risk & responsibility of the bidder. However, the opened priced bid, if prepared separate from the technical bid, would be sealed immediately by the Tender Opening Committee without disclosing the price.~~

19.7 Telex, Cable, Fax or e-mail bids will be rejected.

20. Deadline for Submission of Bids – As mentioned in IIM's tender enquiry.. Delayed and late submission of bids will not be accepted in any case whatsoever reason there is.

20 (a) The Purchaser may, at its discretion, extend this deadline for submission of bids by amending the bid documents in accordance with Clause No. 5 (Amendment to Bid Document), in which case all rights and obligations of the Purchaser and Bidders previously subject to the deadline will thereafter be subject to the deadline as extended.

21 No bid may be withdrawn in the interval between the deadline for submission of bids and the expiration of the period of bid validity specified by the Bidder on the bid form. Withdrawal of a bid during this interval may result in the Bidder's forfeiture of participation in future in IIM's tender enquiries. – **Applicable in this case.**

22 Tender may be declared as unresponsive.

22(a) The following are some of the points, for which a tender may be declared as unresponsive.

- I. The Bid is unsigned.
- II. The Bidder is not eligible.
- III. The Bid validity is shorter than the required period.
- IV. The Bidder has quoted for goods manufactured by different firm without the required authority letter from the proposed manufacturer.
- V. Bidder has not agreed to give the required performance security, if applicable.
- VI. The goods quoted are sub-standard, not meeting the required specifications.
- VII. Against the schedule of Requirement (incorporated in the tender enquiry), the tenderer has not quoted for the entire requirement as specified in that schedule.
- VIII. The tenderer has not agreed to some essential condition(s) incorporated in the tender enquiry.
- IX. If Earnest Money Deposit (EMD) / Bid-Securing Declaration Form is not submitted as per the Terms and Conditions of the Tender Enquiry.
- X. Non-submission of certified copy for Local Content for Local Supplier and Certificate for MSEs and declaration of debarment during last three years by any organization including CSIR Labs/Institutes.

- XI. Firm shall provide an undertaking that (i) They will provide the uninterrupted after sales services (technical support) to ensure the smooth operation of the instrument during the warranty period of 01 (One) year ~~and of extended 02 years.~~ (ii) Undertaking for availability of all required spares after the expiry of warranty period for at least 10 years.. If this undertaking is not provided then their offer may be rejected.
  - XII. Any other certificate as mentioned under eligibility criteria, technical specification and terms & conditions of the IIM's Tender Enquiry.
23. Code of Integrity & Conflict of Interest: - Quoting firms will provide their acceptance for Code of Integrity & Conflict of Interest Chapter No. XIII by endorsing the format mentioned with signature and seal of the firm.

#### **E. OPENING AND EVALUATION OF BIDS**

#### **24. Opening of Bids by the Purchaser**

24.1 The Purchaser will open all bids through CPP portal one at a time in the presence of bidders' authorized representatives who choose to attend, as per the schedule given in invitation for bids. The Bidders' representatives who are present shall sign the quotation opening sheet evidencing their attendance. In the event of the specified date of Bid opening being declared a holiday for the Purchaser, the Bids shall be opened at the appointed time and location on the next working day. In two-part bidding, the financial bid shall be opened only after technical evaluation.

The Purchaser through its "TENDER OPENING COMMITTEE (TOC)" will open bids (Techno Commercial Un-priced Bids in case of Two Bids as per schedule & venue mentioned in this tender enquiry document in the presence of the authorized representative of participating/bidding firms. Representative must carry authorization letter for participation in tender opening meeting.

In Two-Part Bidding (Two Bid System), the financial bid shall be opened only after technical evaluation. Financial bids of those firms would be opened only who would be declared technically suitable as per CSIR-IIM's tendered specifications by the Technical/Decision Making Committee of CSIR-IIM after technical evaluation of the technical-bids.

~~24.2 First, envelopes marked "WITHDRAWAL" shall be opened and read out and the envelope with the corresponding bid shall not be opened, but returned to the Bidder. No bid withdrawal shall be permitted unless the corresponding withdrawal notice contains a valid authorization to request the withdrawal and is read out at bid opening. Next, envelopes marked "SUBSTITUTION" shall be opened and read out and exchanged with the corresponding Bid being substituted, and the substituted Bid shall not be opened, but returned to the Bidder. No Bid substitution shall be permitted unless the corresponding substitution notice contains a valid authorization to request the substitution and is read out at bid opening. Envelopes marked "MODIFICATION" shall be opened and read out with the corresponding Bid. No Bid modification shall be permitted unless the corresponding modification notice contains a valid authorization to request the modification and is read out at Bid opening. Only envelopes that are opened and read out at Bid opening shall be considered further.~~

24.3 The bidders' names, bid modifications or withdrawals, bid prices, discounts, and the presence or absence of requisite bid security and such other details as the Purchaser, at its discretion, may consider appropriate, will be announced at the opening. No bid shall be rejected at bid opening, except for late bid(s). The contents of the bid forms and price schedules would however be announced only at the time of opening of Priced-bids in the case of two-bid system.

24.4 Bids that are received late shall not be considered further for evaluation, irrespective of the circumstances.

24.5 Bidders interested in participating in the bid opening process, should depute their representatives along with an authority letter to be submitted to the purchaser at the time of bid opening as per form Annexed at Annexure P. Only those vendors/representatives of the firm will be allowed to attend the Bid Opening Meeting who have participated and submitted the bids.

**24.6** In Two-Part Bidding (Single Stage Two Bid System), the financial bid shall be opened only after technical evaluation. Financial bids of those firms would be opened only who would be declared technically suitable as per CSIR-IIIM's tendered specifications by the Technical/Decision Making Committee of CSIR-IIIM after technical evaluation of the technical-bids.

**24.7 Confidentiality:**

Information relating to the examination, evaluation, comparison, and post qualification of bids, and recommendation of contract award, shall not be disclosed to bidders or any other persons not officially concerned with such process until publication of the Contract Award.

Any effort by a Bidder to influence the Purchaser in the examination, evaluation, comparison, and post qualification of the bids or contract award decisions may result in the rejection of its Bid.

**25. Clarification of Bids**

**25.1** To assist in the examination, evaluation and comparison of bids, the Purchaser may, at its discretion ask the bidder for any clarification(s) of its bid/offer. The request for clarification and the response shall be in writing and no change in the prices or substance of the bid shall be sought, offered or permitted. However no post Bid clarifications at the initiative of the Bidder shall be entertained/considered.

**25.2** Any clarification and confirmation from the vendor after opening of the bid should not result in modification of their original offer in order to suit or meet the tendered specifications which would not be considered and accepted. Technical evaluation will be done strictly as per the details mentioned by the vendor in original offer with respect to the tendered specifications of CSIR-IIIM. (PL note)

**25.3** Any item not quoted in their original offer will not be accepted even though the party is willing to provide the materials + the unmentioned items at the same cost.

**25.4** Any confirmation/clarification/modification by the vendor against the letter from CSIR-IIIM for communicating them the technical points of rejection would not make the firm technically suitable and their offer will stand as technically rejected. Technical evaluation will be done strictly as per original offer submitted by the vendor with respect to the tendered specifications of CSIR-IIIM.

**26. Preliminary Examination**

**26.1** The Purchaser will examine the bids to determine whether they are complete, whether required sureties have been furnished, and whether the bids are generally in order. Bids from suppliers, without proper Authorization from the manufacturers and from Indian agents without proper Certificate in case the items fall under the restricted list of the current EXIM / Foreign Trade Policy shall be treated as non-responsive and rejected summarily.

**26.2** The Purchaser shall examine the bids to confirm that all documents and technical documentation as requested in ITB have been provided, and to determine the completeness of each document submitted.

**26.3** The Purchaser shall confirm that the following documents and information have been provided in the Bid. If any of these documents or information is missing, the offer shall be rejected.

(a) Bid Form and Price Schedule, in accordance with ITB.

(b) All the tenders received will first be scrutinized to see whether the tenders meet the basic requirements as incorporated in the tender enquiry document. The tenders, who do not meet the basic requirements, are to be treated as unresponsive and ignored. The following are some of the important points, for which a tender may be declared as unresponsive and to be ignored, during the initial scrutiny:

(i) The Bid is unsigned.

(ii) The Bidder is not eligible.

(iii) The Bid validity is shorter than the required period.

(iv) The Bidder has quoted for goods manufactured by a different firm without the required authority letter from the proposed manufacturer.

(v) Bidder has not agreed to give the required performance security.

(vi) The goods quoted are sub-standard, not meeting the required specification etc.

- (vii) Against the schedule of Requirement (incorporated in the tender enquiry), the tenderer has not quoted for the entire requirement as specified in that schedule.
- (viii) The tenderer has not agreed to some essential condition(s) incorporated in the tender enquiry.
- (ix) Earnest Money Deposit (EMD) / Bid Security Declaration Form is not submitted as per the Terms & Conditions of the tender enquiry.
- (x) Non-submission of certified copy for Local Content for Local Supplier and Certificate for MSEs and declaration of debarment during last three years by any organization including CSIR Labs / Instts.
- (xi) Firm shall provide an undertaking that (i) They will provide the uninterrupted after sales services (technical support) to ensure the smooth operation of the instrument during the warranty period of 01 (One) year ~~and of extended 02 years.~~ (ii) Undertaking for availability of all required spares after the expiry of warranty period for at least 10 years. If this undertaking is not provided then their offer may be rejected.**
- (xii) If Code of Integrity & Conflict of Interest (duly signed) is not submitted by the vendor.
- (xiii)** Any other certificate as mentioned under eligibility criteria, technical specification and terms & conditions of the IIM's Tender Enquiry.

**26.4 A bidder shall have the right to be heard in case he feels that a proper procurement process is not being followed and / or his tender has been rejected wrongly. Only a directly affected bidder can represent in this regard as follows:**

- i) Only a bidder who has participated in the concerned procurement process i.e. pre- qualification, bidder registration or bidding, as the case may be, can make such representation;
- ii) In case pre-qualification bid has been evaluated before the bidding of Technical bids, an application for review in relation to the technical bid may be filed only by a bidder who has qualified in pre-qualification bid;
- iii) In case technical bid has been evaluated before the opening of the financial bid, an application for review in relation to the financial bid may be filed only by a bidder whose technical bid is found to be acceptable.
- iv) Following decisions of the purchaser in accordance with the provision of internal guidelines shall not be subject to review:
  - a) Determination of the need for procurement;
  - b) Selection of the mode of procurement or bidding system;
  - c) Choice of selection procedure;
  - d) Provisions limiting participation of bidders in the procurement process;
  - e) The decision to enter into negotiations with the L1 bidder;
  - f) Cancellation of the procurement process except where it is intended to subsequently re-tender the same requirements;
  - g) Issues related to ambiguity in contract terms may not be taken up after a contract has been signed, all such issues should be highlighted before consummation of the contract by the vendor/contractor; and
  - h) Complaints **against** specifications except under the premise that they are either vague or too specific so as to limit competition may be permissible.

In case a Bidder feels aggrieved by the decision of the purchaser, he may then send his representation in writing to the Purchaser's address within 05 working days from the date of communication of the purchaser intimating the rejection for reconsideration of the decision by the purchaser.

**27. Responsiveness of Bids**

**27.1** Prior to the detailed evaluation, the purchaser will determine the substantial responsiveness of each bid to the bidding documents. For purposes of this clause, a substantive responsive bid is one, which conforms to all terms and condition of the bidding documents without material deviations, reservations or omissions. A material deviation, reservation or omission is one that:

- (a) affects in any substantial way the scope, quality or performance of the Goods and Related Services specified in the Contract; or
- (b) limits in any substantial way, inconsistent with the Bidding Documents, the Purchaser's rights or the Bidder's obligations under the Contract ; or

- (c) if rectified, would unfairly affect the competitive position of other bidders presenting substantially responsive bids.
- 27.2** The purchaser's determination of a bid's responsiveness is to be based on the contents of the bid itself without recourse to extrinsic evidence.
- 27.3** If a bid is not substantially responsive, it will be rejected by the Purchaser and may not subsequently be made responsive by the Bidder by correction of the material deviation, reservation or omission.

**28. Non-conformities between the figures and words of the quoted price**

**28.1** Any discrepancy between quoted prices in figures and that in words, if noted will be sorted out in the following manner:

(a) If there is a discrepancy between the unit price and the total price (which is obtained by multiplying the unit price by the quantity), the unit price shall prevail and the total price corrected accordingly, unless in the opinion of the Purchase Committee/ Technical & Purchase Committee there is an obvious misplacement of the decimal point in the unit price, in which case the total price as quoted shall govern and the unit price corrected accordingly.

(b) if there is an error in a total corresponding to the addition or subtraction of subtotals, the subtotals shall prevail and the total shall be corrected.

(c) If there is a discrepancy between words and figures, the amount in words shall prevail, unless the amount expressed in words is related to an arithmetic error, in which case the amount in figures shall prevail subject to (a) and (b) above.

If there is such discrepancy in a bid, the same is to be conveyed to the bidder with target date on the above lines and if the bidder does not agree to the observation of the Purchaser, the tender is liable to be ignored and its Bid Security may be forfeited.

**29.0 Non-conformity, Error and Omission**

**29.1** Provide that a Bid is substantially responsive, the Purchaser may waive any non-conformities or omissions in the Bid that do not constitute a material deviation.

**29.2** Provided that a bid is substantially responsive, the Purchaser may request the Bidder to submit the necessary information or documentation, within a reasonable period of time, to rectify nonmaterial nonconformities or omissions in the bid related to documentation requirements. Such omission shall not be related to any aspect of the price of the Bid. Failure of the Bidder to comply with the request may result in the rejection of its Bid.

**29. Examination of terms & Conditions, technical Evaluation**

**30.1** The Purchaser shall examine the Bid to confirm that all terms and conditions specified in the ITB have been accepted by the Bidder without any material deviation or reservation including the terms & conditions mentioned in Chapter -III (i.e. Instructions to Bidders and submission of quotation etc. and Terms & Conditions).

**30.2** Prior to the detailed evaluation, the Purchaser will determine the *substantial responsiveness* of each bid to the Bid Document as mentioned at ITB(Responsiveness of Bids). Deviations from or objections or reservations to critical provisions such as those concerning Bid Security / Performance Security (where applicable), Warranty, Force Majeure, Applicable Law and Taxes & Duties will be deemed to be a material deviation. The Purchaser's determination of a bid's responsiveness is to be based on the contents of the bid itself without recourse to extrinsic evidence.

**30.3** The Purchaser shall evaluate the technical aspects of the Bid submitted in accordance with ITB, to confirm that all requirements specified in Schedule of Requirement of the Bidding Documents have been met without any material deviation or reservation.

**30.4** If, after the examination of the terms and conditions and the technical evaluation with respect to the tendered technical specification of CSIR-IIIM, the Purchaser determines that the Bid is not substantially responsive in accordance with ITB, it shall reject the Bid.

**30.5** The Purchaser may waive any minor informality, non-conformity, or irregularity in a bid, which does not constitute a material deviation, provided such a waiver, does not prejudice or affect the relative ranking of any Bidder.

**30.6** After downloading, the language of standard clauses etc. mentioned in this 'Bid Document' should not be tempered with/ changed/modified in any manner whatsoever. If any such modification etc. comes to our knowledge at any stage, the bid shall be rejected immediately and EMD shall also be forfeited.

### **31 Evaluation & Comparison of Bids**

**31.1 Convert to Single Currency** : To facilitate evaluation and comparison, the Purchaser will convert all quoted prices expressed in various currencies to Indian Rupees at the selling exchange rate established by any bank in India as notified in the Newspapers on the date of bid opening (techno - commercial bid in the case of two-part bidding) For this purpose, exchange rate notified in www.xe.com or www.rbi.org or any other website could also be used by the purchaser – **Not Applicable in this case.**

**31.2** For the bids surviving the technical evaluation which have been found to be substantially responsive shall be evaluated and compared.

**31.3** To evaluate a Bid, the Purchaser shall only use all the factors, methodologies and criteria defined below. No other criteria or methodology shall be permitted. The Purchaser shall evaluate each bid that has been determined, up to this stage of the evaluation, to be substantially responsive.

**31.4 Purchase preference shall be given to all local Suppliers in all procurements undertaken by the Purchaser in the manner prescribed by the Department for Promotion of Industry and Internal Trade, Govt. of India, vide OM No. P-45021/2/2017-PP (BE-II) dated 04 June 2020 and subsequent amendments made vide OM No. P-45021/2/2017-PP (BE-II) dated 16 September 2020. This may be read in association with OM bearing No. F.1.4/2021-PPD dated 18/05/2023 issued by Public Procurement Division, Department of Expenditure, Ministry of Finance, Govt of India.**

The applicability of PPP-MSE Order and PPP-MII Order in various scenarios, involving simultaneous purchase preference To MSEs and Class – I local suppliers under PPP-MSE Order and PPP-MII Order respectively, shall be as under:

- a) Items covered under Para 3(a) of PPP-MII Order, 2017, for which Nodal Ministry has notified sufficient local capacity and completion. For these items only Class – I local suppliers or Non-local suppliers, including MSEs which are Class – II local suppliers/Non-local suppliers, are not eligible to bid. Possible scenarios can be as under:
  - i) L-1 is "MSE Class I Local supplier-100% of the tendered quantity is to be awarded to L-1.
  - ii) L-1 is "Non-MSE but Class-I local supplier"-Purchase preference is given to MSEs as per PPP-MSE Order. Balance quantity is to be awarded to L-1 bidder.
- b) Items reserved exclusively for procurement from MSEs as per PPP-MSE Order: These items are reserved exclusively for purchase from MSEs. Hence, non-MSEs are not eligible to bid for these items. Possible scenario can be as under:
  - i) L-1 is "MSE Class – I local supplier" – 100% of the tendered quantity is to be awarded to L-1.
  - ii) L-1 is "MSE non-Class- I local supplier"- Purchase preference is to be given to Class – I local supplier as per PPP-MII Order. Balance quantity, is to be awarded to L-1 bidder.
- c) If items are neither notified for sufficient local capacity nor reserved for MSEs , then the process will be as follows:
  - a) Items covered under Para 3 A (b) of PPP-MII Order are divisible items and both MSEs as well as Class – I local suppliers are eligible for purchase preference. Possible scenarios can be as under:-

- (i) L-1 is "MSE Class – I local supplier" – 100% of the tendered quantity is to be awarded to L-1.
- (ii) L-1 is " Non-MSE but Class – I local supplier" – Purchase preference is to be given to MSEs, if eligible, as per PPP-MSE Order. Balance quantity is to be awarded to L-1 bidder.
- (iii) L-1 is "MSE but non-Class I local supplier"- Purchase preference is to be given to Class – I local supplier, if eligible, as per PPP-MII Order. Balance quantity is to be awarded to L-1 bidder.
- (iv) L-1 is "Non-MSE non-Class I local supplier"- Purchase preference is to be given to MSEs as per PPP-MSE Order. Thereafter, purchase preference is to be given to Class – I local suppliers for "50% of the tendered quantity minus quantity allotted to MSEs above" as per PPP-MII Order. For the balance quantity, contract is to be awarded to L-1 bidder.

**b) Items covered under Para 3A (c) of PPP-MII Order, 2017 are non-divisible items and both MSE's as well as Class – I local suppliers are eligible for purchase preference. Possible scenarios can be as under:**

- (i) L-1 is "MSE Class – I local supplier" – Contract is awarded to L-1.
- (ii) L-1 is not "MSE Class –I Local supplier" but the MSE Class – I Local Supplier" falls within 15% margin of purchase preference-Purchase preference is to be given to lowest quoting "MSE Class – I local supplier". If lowest quoting "MSE Class – I Local Supplier" does not accept the L-1 rates, the next higher "MSE Class- I local supplier" falling within 15% margin of purchase preference is to be given purchase preference and so on.
- (iii) If conditions mentioned in sub paras (i) and (ii) above are not met i.e. L-1 is neither "MSE Class-I local supplier" nor "MSE Class- I local supplier" is eligible to take benefit of purchase preference, the contract is to be awarded /purchase presence to be given in different possible scenarios as under:
  - A. L-1 is "MSE but non-Class – I local supplier" or "Non-MSE but Class-I local supplier" contract is awarded to L1.
  - B. L1 is "Non-MSE non –Class I Local Supplier" – First purchase preference to be given t MSEas per PPP-MSE Order. If MSE not eligible/does not accept – purchase preference to be given to Class – I Local Supplier as per PPP-MII Order. If Class I Local Supplier also not eligible/does not accept-contract to be awarded to L-1.

**d) Items reserved for both MSEs and Class I Local Suppliers; These items are reserved exclusively for purchase from MSEs as well as Class –Local suppliers. Hence, only "MSE Class – I Local Supplier" are eligible to bid for these items. Non-MSEs/Class – II Local Suppliers/ Non-Local Suppliers cannot bid for these items. Hence the question of purchase preference does not arise.**

**e) Non-Local suppliers, including MSEs falling in the category of Non-Local Supplier, shall be eligible to bid only against Global Tender Enquiry.**

For all procurements above 5 lakhs undertaken by the purchaser, purchase preference shall be given to Class I local suppliers in the following manner:

In the procurements of goods or works which are divisible in nature, the 'Class-I local supplier' shall get purchase preference over 'Class-II local supplier's as per following procedure, This may be read in association with OM bearing No. F.1.4/2021-PPD dated 18/05/2023 issued by Public Procurement Division, Department of Expenditure, Ministry of Finance, Govt. of India.

- i. Among all qualified bids, the lowest bid will be termed as L1. If L1 is 'Class-I local supplier', the contract for full quantity will be awarded to L1
- ii. If L1 bid is not a 'Class-I local supplier', 50% of the order quantity shall be awarded to L1. Thereafter, the lowest bidder among the 'Class-I local supplier' will be invited to match the L1 price for the remaining 50% quantity subject to the Class-I local supplier's quoted price falling within the margin of purchase preference, and contract for that quantity shall be awarded to such 'Class-I local supplier' subject to matching the L1 price. In case such lowest eligible 'Class-I local supplier' fails to match the L1 price or accepts less than the offered quantity, the next higher 'Class-I local supplier' within the margin of purchase preference shall be invited to match the L1 price for remaining quantity and so on, and contract shall be awarded accordingly. In case some quantity is still left uncovered on Class-I local suppliers, then such balance quantity may also be ordered on the L1 bidder.

In the procurements of goods or works which not divisible in nature, and in procurement of services where the bid is evaluated on price alone, the 'Class-I local supplier' shall get purchase preference over 'Class-II local supplier' as per following procedure, This may be read in association with OM bearing No. F.1.4/2021-PPD dated 18/05/2023 issued by Public Procurement Division, Department of Expenditure, Ministry of Finance, Govt. of India. :

- i. Among all qualified bids, the lowest bid will be termed as L1. If L1 is 'Class-I local supplier', the contract will be awarded to L1.
- ii. If L1 is not 'Class-I local supplier', the lowest bidder among the 'Class-I local supplier', will be invited to match the L1 price subject to Class-I local supplier's quoted price falling within the margin of purchase preference, and the contract shall be awarded to such 'Class-I local supplier' subject to matching the L1 price.
- iii. In case such lowest eligible 'Class-I local supplier' fails to match the L1 price, the 'Class-I local supplier' with the next higher bid within the margin of purchase preference shall be invited to match the L1 price and so on and contract shall be awarded accordingly. In case none of the 'Class-I local supplier' within the margin of purchase preference matches the L1 price; the contract may be awarded to the L1 bidder.
- iv. Various orders issued by Public Procurement Division, Department of Expenditure, Ministry of Finance, Govt. of India time-to-time pertaining to MSE, Make-in-India Public Procurement Preferential Policy, provisions for evaluation, selection and awarding the contract as mentioned therein will be the part of the evaluation criteria etc. as the terms & conditions under this tender document. Bidders can visit the website of Public Procurement Division, Department of Expenditure, Ministry of Finance, Govt. of India for various orders.

"Class-II local supplier" will not get purchase preference in any procurement, undertaken by procuring entities.

**(a) If the tendered item is divisible:-**

(i) Among all qualified bids, the lowest bid will be termed as L1. If L1 is from a local supplier (Class-I), the contract for full quantity will be awarded to L1.

(ii) If L1 bid is not from a local supplier (Class-I), 50% of the order quantity shall be awarded to L1. Thereafter, the lowest bidder among the local supplier's (Class-I), will be invited to match the L1 price for the remaining 50% quantity, subject to the local supplier's (Class-I) quoted price which should fall within the margin of purchase preference of 20%. The contract for that quantity shall be awarded to such local supplier (Class-I), who matches the L1 price. In case such lowest eligible local supplier (Class-I) fails to match the L1 price or accepts less than the offered quantity, the next higher local supplier (Class-I) within the margin of purchase preference shall be invited to match the L1 price for the remaining quantity and so on. The contract shall be awarded accordingly. In case some quantity is still left uncovered on the part of local suppliers (Class-I), the balance quantity may also be ordered to the L1 bidder.

~~(b) If the tendered item is not divisible, the Class I local supplier shall get purchase preference over Class II local supplier as well as non-local supplier as per the following procedure:~~

~~i. Among all qualified bids, the lowest bid will be termed as L1. If L1 is from a Class I local supplier, the contract will be awarded to L1.~~

~~ii. If L1 is not from a Class I local supplier, the lowest bidder among the Class I local suppliers will be invited to match the L1 price, subject to Class I local supplier's quoted price falling within the~~



margin of purchase preference of 20%. Accordingly, the contract shall be awarded to the Class I local supplier matching the L1 price.

~~iii. In case such lowest eligible Class I local supplier fails to match the L1 price, the Class I local supplier with the next higher bid within the margin of purchase preference shall be invited to match the L1 price. This may be repeated until all the local suppliers are given an opportunity to match the L1 price and so on and contract shall be awarded accordingly. In case none of the Class I local suppliers within the margin of purchase preference match the L1 price, the contract may be awarded to the L1 bidder.~~

~~iv. Class II local supplier will not get purchase preference in any procurement process.~~

Further, In tender, where the items are divisible, the participating Micro and Small Enterprises (MSE) quoting price within price band of L1+15 (fifteen) per cent shall also be allowed to supply a portion of requirement by bringing down their price to L1 price in a situation where L1 price is from someone other than a MSE and such MSE shall be allowed to supply up to 25 (twenty five) per cent of total tendered value. The 25 (twenty five) per cent quantity is to be distributed proportionately among these bidders, in case there are more than one MSMEs within such price band.

Within this 25% (Twenty five Percent) quantity, a purchase preference of 25 (twenty five) per cent out of 25 (twenty five) per cent) is reserved for MSEs owned by Scheduled Caste (SC)/Scheduled Tribe (ST) entrepreneurs (if they participate in the tender process and match the L1 price). Further, out of the total annual procurement from the MSEs, (3%) three percent from within the 25% target shall be earmarked for procurement from MSEs owned by women. Provided that, in the event of failure of such SC/ST MSE to participate in tender process or meet tender requirements and L1 price, four per cent sub-target shall be met from other MSE.

In case the items are not divisible, then the MSE quoting price within price band L1 + 15% may be awarded for full/complete supply of total tendered quantity to MSE, considering the spirit of the policy for enhancing the Government procurement from MSEs.

**All the provisions made by the Govt. of India vide their notifications / guidelines will be applicable while evaluation of offers including financial bids pertaining to MSE and Make in India. Please go through the clauses mentioned in Chapter-III, Section A : Eligibility / Qualification criteria, other terms and conditions of this tender enquiry will be the part of the technical and commercial evaluation.**

### 31.5

#### **(a) For goods manufactured in India**

- (i) The price of the goods quoted ex-works including all taxes already paid.
- (ii) GST and other taxes, if any which will be payable on the goods if the contract is awarded.
- (iii) Charges for inland transportation, insurance and other local services required for delivering the goods at the desired destination.
- (iv) Wherever applicable, the cost towards the installation, commissioning, spares, extended warranty, AMC/CMC, site preparation and training including any incidental services, if any.

#### **~~(b) For goods manufactured abroad~~**

- ~~(i) The price of the goods, quoted on CIF/CIP, Jammu Airport/Sea Port basis.~~
- ~~(ii) The agency commission etc., if any.~~
- ~~(iii) Wherever applicable, the cost towards the installation, commissioning, spares, extended warranty, AMC/CMC, site preparation and training including any incidental services, if any.~~

~~The comparison between the indigenous and the foreign offers shall be made on FOB destination basis and CIF/CIP basis respectively. However, the CIF/CIP prices quoted by any foreign bidder shall be loaded further as under:~~

~~(a) — Towards customs duty and other statutory levies including IGST as per applicable rates.~~

~~(b) — Towards custom clearance, inland transportation etc. — 2% of the CIF/CIP value.~~

~~**Most important:** The bidder should give a clear cut breakup of EXW, FOB/FCA, CIF/CIP prices to facilitate proper comparison with the purchaser reserving the right to order on either basis, failing which the bid would be summarily ignored.~~

**Note: Where there is no mention of packing, forwarding, freight, insurance charges, taxes etc. such offers shall be rejected as incomplete.**

~~**31.6** Orders for imported stores need not necessarily be on FOB/FCA basis rather it can be on the basis of any of the incoterm specified in ICC Incoterms 2020 as may be amended from time to time by the ICC or any other designated authority and favorable to the purchaser.~~

~~**31.7** Wherever the price quoted on FOB/FCA and CIF/CIP basis are the same, the Contract would be made on CIF/CIP basis only~~

~~**31.8** The GCC and the SCC shall specify the mode of transport i.e., whether by **air/ocean/road/rail**.~~

~~**31.9** There is **no provision to purchase optional items**. The specifications embodied in the tender documents would be the basis of evaluating the responsiveness of bids received.~~

~~**31.10** The Purchaser shall compare all substantially responsive bids to determine the lowest evaluated bid, in accordance with the terms & conditions mentioned in this tender enquiry documents.~~

~~**31.11** Conditional tenders/discounts etc. shall not be accepted. Rates quoted without attached conditions (viz. Discounts having linkages to quantity, payment terms etc.) will only be considered for evaluation purpose. Thus conditional discounted rates linked to quantities and prompt/advance payment etc, will be ignored for determining *inter-se* position. The Purchaser however reserves the right to use the discounted rate/rates considered workable and appropriate for counter offer to the successful tenderers.~~

~~**31.12** If the bidder has quoted certain optional items, these items should not be taken into consideration for the evaluation of the bid unless the specifications of the optional item quoted by the vendor are part of original indented specification.~~

~~**31.13** **Warranty, Installation, Commissioning and training as applicable will be the part of evaluation criteria.**~~

## **32 Contacting the Purchaser**

~~**32.1** Subject to ITB Clause No. 25, no bidder shall contact the Purchaser on any matter relating to its bid, from the time of the bid opening to the time the Contract is awarded. If the bidder wishes to bring additional information to the notice of the Purchaser, it should do so in writing.~~

~~**32.2** Any effort by a bidder to influence the Purchaser in its decisions on bid evaluation, bid comparison or contract award may result in rejection of the Bidder's bid.~~

## **33. Post qualification**

~~**33.1** In the absence of pre-qualification, the Purchaser will determine to its satisfaction whether the Bidder that is selected as having, submitted the lowest evaluated responsive bid is qualified to perform the contract satisfactorily, in accordance with the criteria listed in ITB Clause No. 10 & 11.~~

~~**33.2** The determination will take into account the eligibility criteria listed in the bidding documents and will be based upon an examination of the documentary evidence of the Bidder's qualifications submitted by the Bidder, as well as such other information as the Purchaser deems necessary and appropriate.~~

~~**33.3** An affirmative determination will be a prerequisite for award of the contract to the Bidder. A negative determination will result in rejection of the Bidder's bid.~~

## F. PAYMENT TERMS

### 34. Payment terms

**34.1 Payment for Indigenous supplier:** No Advance payment will be made. ~~100% Irrevocable Inland LC shall be opened in favour of the Supplier out of which payment shall be released by the following ways:-~~

~~(a) On Shipment: Ninety percent ( 90 %) of the Contract Price plus 100% taxes after deducting GST TDS as per applicable rates shall be paid through irrevocable inland letter of credit opened in favour of the Supplier in a bank in its country, upon submission of shipment documents.~~

~~[Note:- For Opening of Inland LC, the awarded firm has to provide us the Insurance Policy Certificate hypothecated to Purchaser's Bank (i.e. Name of Bank: STATE BANK OF INDIA, Branch Name: Hari Market, Jammu, Account No. 30186230982, IFSC Code SBIN000657) for coverage of risk for an amount of 110% of the Purchase Order value from Supplier's Warehouse to the Stores Section, CSIR-IIIM, Jammu.]~~

~~(b) On Acceptance: Ten percent ( 10 %) of the Contract Price of Goods received shall be paid by Inland LC within thirty (30) days of receipt of Goods and successful installation & commissioning including completion of all contractual obligations upon submission of claim supported by the acceptance certificate issued by the Purchaser along with the Performance security including fulfillment of all contractual obligations subject to the submission of PBG @03% of the order value covering the period beyond 02 months of the Warranty Period of 1 year plus 2 years of Extended Warranty.~~

~~OR~~

~~Hundred percent ( 100%) of the Contract Price of Goods received shall be paid within thirty (30) days of receipt of Goods and successful installation & commissioning upon submission of claim supported by the acceptance certificate issued by the Purchaser along with the Performance security, if any.  
(WHICHEVER IS APPLICABLE)~~

~~OR~~

~~Hundred percent (100%) of the Contract Price of Goods received shall be paid within thirty (30) days of receipt and acceptance of goods.~~

~~The Performance Security of 3% (Three percent) of value of Purchase Order should be valid till 60 (Sixty) days beyond the date of expiry of Warranty Period of 01 (One) Year comprehensive Warranty from the date of installation, commissioning and acceptance.~~

**Note:**

All payments due under the Contract shall be paid after deduction of statutory levies at source (like ESIC, Income Tax, TDS etc.), wherever applicable.

Payments will be made through e-payment mode, i.e. RTGS. Bills for partial supply (if any) should not be raised. Bills can only be raised after completion of the entire supply.

All the bidders are requested to furnish the following details for making payment by e-mode in their letter head to be submitted along with technical bid :-

- i) 11 digit core banking Account Number
- ii) Type of Account (Saving / Current)
- iii) Name of Account Holder
- iv) Name of Bank & Branch
- v) IFSC Code Number
- vi) MICR Number

**34.2** No outright advance payments will be made to the firms. Advance maximum 30% of the order value will be payable against a bank guarantee of equivalent value subject to approval of competent Authority of IIIM.

## G. PENALTY CLAUSE

### 35. Penalty clauses:-

#### 35.1 Liquidated Damage:

While granting extension of the delivery period, where the delivery of stores or any installment there of accepted after expiry of the original delivery period, the Procuring Entity may recover from the contractor, as agreed, the LD assume equivalent to **0.5(Half) percent** of the prices of any portion of stores delivered late, for each week or part

thereof delay. The total damages shall **not exceed 10(Ten) percent** of the value of delayed goods. The LD cannot exceed the amount stipulated in the contract.

**35.2 Denial Clause (over and above levy of Liquidated Damage):** any increase in statutory duties and / or upward rise in prices due to the PVC (Price Variation Clause) clause and / ~~or any adverse fluctuation in foreign exchange~~ are to be borne by the seller during the extended delivery period, while the purchaser reserves his right to get any benefit of a downward revisions in statutory duties, PVC and foreign exchange rate.

**35.3** Delay in Installation & Commissioning beyond contractual deadline will **attract LD Clause and it will applicable for delay in supply & installation including all contractual obligations as well.**

**35.4** If at any time during performance of the Contract, the Supplier or its sub-contractor(s) should encounter conditions impeding timely delivery of the Goods and performance of Services, the Supplier shall promptly notify the Purchaser in writing of the fact of the delay, its likely duration and its cause(s). As soon as practicable after receipt of the Supplier's notice, the Purchaser shall evaluate the situation and may, at its discretion, extend the Supplier's time for performance with or without liquidated damages, in which case the extension shall be ratified by the parties by amendment of the Contract.

**35.5** Except as provided under the Force Majeure, a delay by the Supplier in the performance of its delivery obligations shall render the Supplier liable to the imposition of liquidated damages pursuant to liquidated damages unless an extension of time is agreed upon pursuant to above clause without the application of penalty clause.

**35.6 Force Majeure (FM) :** FM means extraordinary events or circumstance beyond human control such as an event described as an act of God (like a natural calamity) or events such as a war, strike, riots, crimes (but not including negligence or wrongdoing, predictable / seasonal rain and any other events specifically excluded in the clause). An FM clause in the contract frees both parties from contractual liability or obligation when prevented by such events from fulfilling their obligations under the contract. An FM clause does not excuse a party's non-performance entirely, but only suspends it for the duration of the FM. The firm has to give notice of FM as soon as it occurs and it cannot be claimed ex-post facto. There may be a FM situation affecting the purchase organization only. In such a situation, the purchase organization is to communicate with the supplier along similar lines as above for further necessary action. If the performance in whole or in part or any obligation under this contract is prevented or delayed by any reason of FM for a period exceeding 90(Ninety) days, either party may at its option terminate the contract without any financial execution on either side.

Notwithstanding the punitive provisions contained in the contract for delay or breach of contract, the supplier would not be liable for imposition of any such sanction so long as the delay and / or failure of the suppliers fulfilling its obligations under the contract is the result of an event covered in the FM clause.

## **H. AWARD OF CONTRACT**

### **36. Negotiations**

**36.1** There shall not be any negotiation normally. Negotiations, if at all, shall be an exception and only in the case of items with limited source of supply. Negotiations shall be held with the lowest evaluated responsive bidder only. Counter offers tantamount to negotiations and shall be treated at par with negotiations in the case of one time purchases.

**37.1** Subject to ITB Clause No. 39 the Purchaser will award the contract to the successful Bidder whose bid has been determined to be substantially responsive and has been determined to be the lowest evaluated bid, provided further that the Bidder is determined to be qualified to perform the contract satisfactorily.

### **38. Purchaser's Right to Vary Quantities at Time of Award**

**38.1** The Purchaser reserves the right at the time of Contract award to increase or decrease the quantity of goods and services originally specified in the Schedule of Requirements as mentioned in Chapter No. II without any changes in unit price or in other terms and conditions. Further, at the discretion of the purchaser, the quantities in the contract may be enhanced by 25% without any change in unit price within the delivery period.

### **39. Purchaser's Right to Accept Any Bid and To Reject Any or All Bids**

**39.1** The Purchaser reserves the right to accept or reject any bid, and to annul the bidding process and reject all bids at any time prior to award of Contract, without thereby incurring and liability to the affected Bidder or Bidders or any obligation to inform the affected Bidder or bidders of the grounds for the Purchaser's action.

### **40. Notification of Award**

**40.1** Prior to the expiration of the period of bid validity, the Purchaser will notify the successful bidder in writing by registered letter or by cable or telex or fax or e mail that the bid has been accepted and a separate purchase order shall follow through registered email.

**40.2** Until a formal contract is prepared and executed, the notification of award should constitute a binding contract.

**40.3** Upon the successful Bidder's furnishing of the signed Contract Form and performance security pursuant to ITB, the purchaser will promptly notify each unsuccessful Bidder and will discharge its bid security.

### **41. Signing of Contract**

**41.1** Promptly after notification, the Purchaser shall send the successful Bidder the Agreement/PO.

**41.2** within twenty-one (21) days of date of date of the Agreement, the successful Bidder shall sign, date, and return it to the Purchaser.

### **42. Order Acceptance**

**42.1** The successful bidder should submit Order acceptance within **14 days** from the date of issue, failing which it shall be presumed that the vendor is not interested and his bid security is liable to be forfeited pursuant to ITB Clause.

**42.2** The order confirmation must be received within **14 days**. However, the Purchaser has the powers to extend the time frame for submission of order confirmation and submission of Performance Security (PS). Even after extension of time, if the order confirmation/PS are not received, the contract shall be cancelled and limited tenders irrespective of the value shall be invited from the responding firms after forfeiting the bid security of the defaulting firm, where applicable, provided there is no change in specifications. In such cases the defaulting firm shall not be considered again for re-tendering in the particular case.

**43. Performance Security: @03% of the order value for the period covering beyond two months of the warranty period of 01 (One) year ~~plus Two (02) years of extended warranty~~ will be applicable. Warranty date will start from the date of installation and commissioning of the equipment including ~~training~~ and completion of other contractual obligations as applicable**

**43.1** To ensure due performance of the contract, the Supplier shall furnish performance security (PS )in the amount specified in Tender Documents. 03% of order value, valid till 60 days beyond the date of completion of all contractual obligations of the supplier, including warranty obligations.

**43.2** Performance Security may be furnished in the form of an account payee demand draft, fixed deposit receipt in favor of the Purchaser from a commercial bank, bank guarantee issued / confirmed from any of the commercial bank in India in an acceptable form, safeguarding the purchaser's interest in all respects.

**43.3 The Performance Security shall be denominated in Indian Rupees only.**

**43.4** The Performance Security will be forfeited and credited other Procuring Entity's account in the event of a breach of contract by the contractor.

**43.5** The performance security will be discharged by the Purchaser and returned to the Supplier not later than 60 days following the date of completion of the Supplier's performance obligations, including any warranty obligations, unless specified otherwise in Purchase Order, without levy of any interest.

**43.6** The performance security / PBG in the prescribed format of CSIR-IIIM must be received at buyer's end after completion of all the contractual obligation as mentioned in the contract / Purchase Order such as installation, commissioning, demonstration, training etc. for effecting to release the payment as per the terms & conditions of the Contract/Purchase Order. Received PBG will be confirmed from the issuing bank and payment will be released after receipt of the confirmation from the issuing bank.

**43.7 Whenever, the bidder chooses to submit the Performance Security in the form of Bank Guarantee, then he should advise the banker issuing the Bank Guarantee to immediately send by**

**Registered Post (A.D.) an unstamped duplicate copy of the Guarantee directly to the Purchaser with a covering letter to compare with the original BG for the correctness, genuineness, etc.**

#### **44. Applicable Law**

The Contract shall be interpreted in accordance with the laws of the Union of India and all disputes shall be resolved as per Point No. 45 (Settlement of Disputes).

#### **45. Settlement of Disputes**

(i) The Purchaser and the supplier shall make every effort to resolve amicably by direct informal negotiation any disagreement or dispute arising between them under or in connection with the Contract.

(ii) If, after twenty-one (21) days, the parties have failed to resolve their dispute or difference by such mutual consultation, then either the Purchaser or the Supplier may give notice to the other party of its intention to commence arbitration, as hereinafter provided, as to the matter in dispute, and no arbitration in respect of this matter may be commenced unless such notice is given. Any dispute or difference in respect of which a notice of intention to commence arbitration has been given in accordance with this Clause shall be finally settled by arbitration. Arbitration may be commenced prior to or after delivery of the Goods under the Contract.

(iii) The dispute settlement mechanism/arbitration proceedings shall be concluded as under:

(a) In case of Dispute or difference arising between the Purchaser and a domestic supplier relating to any matter arising out of or connected with this agreement, such disputes or difference shall be settled in accordance with the Indian Arbitration & Conciliation Act, 1996 and Arbitration & Conciliation (Amendment) Act 2015, the rules there under and any statutory modifications or re-enactments thereof shall apply to the arbitration proceedings. The dispute shall be referred to the Delhi International Arbitration Centre (DIAC), Delhi High Court, New Delhi.

(b) "Arbitration Clause" in the domestic agreement will be as under:-  
"ARBITRATION

1. In the event of any question /dispute/difference arising under the agreement or in connection herewith (except as to matters the decision of which is specially provided under this agreement) the same shall be referred to the Delhi International Arbitration Centre for appointment of Arbitrator to adjudicate the dispute.

2. The award of the Arbitrator shall be final and binding on the parties. The Arbitrator may give interim award(s) and /or directions, as may be required.

3. Subject to the aforesaid provision, the arbitration and conciliation act, 1996 and the rules made hereunder and any modification thereof from time to time being in force shall be deemed to apply to the Arbitration proceedings under this clause."

(c) in the case of a dispute between the purchaser and a Foreign Supplier, the dispute shall be settled by arbitration In accordance with provision of sub-clause (a) above. But if this is not acceptable to the supplier then the dispute shall be settled in accordance with provisions of UNCITRAL (United Nations Commission on International Trade Law) Arbitration Rules.

(iv) The venue of the arbitration shall be the place from where the purchase order or contract is issued.

(v) Notwithstanding any reference to arbitration herein,

(a) the parties shall continue to perform their respective obligations under the Contract unless they otherwise agree; and

(b) the Purchaser shall pay the Supplier any monies due the Supplier.

**46. Vendors are requested to get themselves registered with Government e-marketplace (GeM) as per Notification No. 6/9/2020-PPD dated 24.08.2020 issued by Ministry of Finance, Govt. of India. It is a mandatory eligibility criterion for the bidder for award of contract. If the bidder is not registered till the award of contract then they will not be eligible for placement of purchase order. It is not applicable to foreign bidders/ manufacturers who will quote in foreign currency and Purchase Order will be placed to them at their address out of India.**

#### **General Conditions of Contract**

**For General Conditions of Contract please see the CSIR-IIIM's website (Please refer to our website with a link <https://www.iiim.res.in/tender-notices>)**

**Denial Clause as mentioned in this Tender Document will also be the part of GCC.**

**SPECIAL CONDITIONS OF CONTRACT**

**Table of Contents**

<b>Sl. No.</b>	<b>GCC Clause</b>
01.	GCC 2.1.1 (l)
02.	GCC 2.1.1 (m)
03.	GCC 2.13.1
04.	GCC 2.15.2
05.	GCC 2.16.1
06.	GCC 2.16.3
07.	GCC 2.17.1
08.	GCC 2.21.3
09.	GCC 2.22.1
10.	GCC 2.27.1
11.	GCC 2.27.1
12.	GCC 2.34.1
13.	GCC 2.35.1
14.	GCC 2.43.1
15.	GCC 2.43.2
16	GCC 1.32.3
17	GCC 1.32.3



**Special conditions of contract (SCC)**

The following Special Conditions of Contract (SCC) shall supplement and / or amend the General Conditions of Contract (GCC). Whenever there is a conflict, the provisions herein shall prevail over those in the GCC .

S.N.	GCC Clause Ref	Condition
1	GCC 2.1.1(l)	The Purchaser is: <b>Director, Indian Institute of Integrative Medicine , Canal Road, Jammu-180001, Jammu-180001.</b>
2	GCC 2.1.1(m)	The Final Destination is:  <b>Indian Institute of Integrative Medicine , Canal Road, Jammu-180001, Jammu-180001</b>
3	GCC 2.13.1	<b>The amount of the Performance Security shall be 03% of the contract value.</b>
4	GCC 2.15.2	The marking and documentation within and outside the packages shall be: (a) Each package should have a packing list within it detailing the part No(s), description, quantity, HSN Code, Gross & Net Weight, Volume of goods etc.  (b) Outside each package, the contract No., the name and address of the purchaser and the final destination should be indicated on all sides and top.  (c) Each package should be marked as 1/x, 2/x, 3/x,.....x/x, where "x" is the total No. of packages contained in the Consignment.  (d) All the sides and top of each package should carry an Appropriate indication/ label/ stickers indicating the precautions to be taken while handling/storage.
5	GCC 2.16.1	Details of Shipping and other Documents to be furnished by the Supplier are : <u>For goods manufactured within India</u> Within 24 hours of dispatch, the supplier shall notify the purchaser the complete details of dispatch and also supply following documents by registered post / speed post and copies thereof by FAX/Email. (a) Two copies of Supplier's Invoice indicating, <i>inter-alia</i> description and specification of the goods, quantity, unit price, total value, HSN Code, Gross & Net Weight, Volume of goods; (b) Packing list; (c) Certificate of country of origin; (d) Insurance certificate, if required under the contract; (e) Railway receipt/Consignment note; (f) Manufacturer's guarantee certificate and in-house inspection certificate; (g) Inspection certificate issued by purchaser's inspector, if any; and (h) Any other document(s) as and when required in terms of the contract.

		<p>Note:</p> <p><b>01. The nomenclature used for the item description in the invoices(s), packing list(s) and the delivery note(s) etc. Should be identical to that used in the contract. The dispatch particulars including the name of the transporter should also be mentioned in the Invoice(s).</b></p> <p><b>02. The above documents should be received by the Purchaser before arrival of the Goods and, if not received, the Supplier will be responsible for any consequent expenses.</b></p> <p><u>For goods manufactured abroad</u>  <del>Within 24 hours of dispatch, the supplier shall notify the purchaser the complete details of dispatch and also supply following documents by Registered Post/courier and copies thereof by FAX/Email:</del></p> <p><del>(a) Two copies of supplier's Invoice giving full details of the goods including quantity, value, etc.;</del></p> <p><del>(b) Packing list;</del></p> <p><del>(c) Certificate of country of origin issued by supplier;</del></p> <p><del>(d) Manufacturer's guarantee and Inspection certificate;</del></p> <p><del>(e) Inspection certificate issued by the Purchaser's Inspector, if any;</del></p> <p><del>(f) Insurance Certificate, if required under the contract;</del></p> <p><del>(g) Name of the Vessel/Carrier;</del></p> <p><del>(h) Bill of Lading/Airway Bill;</del></p> <p><del>(i) Any other document(s) as and when required in terms of the Contract.</del></p> <p>Note:</p> <p><del>1. The nomenclature used for the item description in the Invoices (s), packing list(s) and the delivery note(s) etc. Should be identical to that used in the contract. The dispatch particulars including the name of the transporter should also be mentioned in the Invoice(s).</del></p> <p><del>2. The above documents should be received by the Purchaser before arrival of the Goods and, if not received, the Supplier will be responsible for any consequent expenses.</del></p>
		<p><b>Delivery of Materials :</b>  Delivery of all ordered materials is to be made <b>within 8 weeks</b> from the date of receipt of order / ILC as mentioned in the Purchase Order.  Installation &amp; Commissioning including other contractual obligation is to be done <b>within 14 days of delivery of goods.</b></p> <p><b>Denial Clause (over and above levy of Liquidated Damage):</b> any increase in statutory duties and / or upward rise in prices due to the PVC (Price Variation Clause) clause and / or any adverse fluctuation in foreign exchange are to be borne by the seller during the extended delivery period, while the purchaser reserves the right to get any benefit of a downward revisions in statutory duties, PVC and foreign exchange rate.</p>
6	GCC 2.16.3	<p>In case of supplies from within India, the mode of transportation shall be by <i>Road</i>.  In case of supplies from abroad, the mode of transportation shall be by <i>Air</i>.</p>
7	GCC 2.17.1	<p>The Insurance shall be for an amount equal to 110% of the CIF or CIP value of the contract from within "warehouse to warehouse (final</p>

		<p>destination)" on "all risk basis" including strikes, riots and civil commotion.</p> <p>[Note:- For Opening of Inland LC, the awarded firm has to provide us the Insurance Policy Certificate hypothecated to Purchaser's Bank (i.e Name of Bank STATE BANK OF INDIA, Branch Name: Hari Market, Jammu, Account No. 30186230982, IFSC Code SBIN0000657) for coverage of risk for an amount of 110% of the Purchase Order value from Supplier's Warehouse to the Stores Section, CSIR-IIIM, Jammu.]</p>
8	GCC 2.21.3	<p>The period of validity of the Warranty shall be <b>01 (One) Year plus 02(Two) years of extended warranty</b> from the date of acceptance, installation and commissioning.</p>
9	GCC2.22.1	<p>The method and conditions of payment to be made to the Supplier under this Contract shall be as follows:</p> <p><b>Payment for Goods supplied from abroad:</b>  Payment of foreign currency portion shall be made in currency of the Contract in the following manner:</p> <p><b>100% Irrevocable LC shall be opened in favour of the Supplier out of which payment shall be released by the following ways:-</b></p> <p><b>(a) On Shipment:</b> Ninety percent ( 90 %) of the Contract Price of the Goods shipped shall be paid through irrevocable letter of credit opened in favour of the Supplier in a bank in its country, upon submission of shipment documents.</p> <p><b>(b) On Acceptance:</b> Ten percent ( 10 %) of the Contract Price of Goods received shall be paid through irrevocable letter of credit within thirty (30) days of receipt of Goods and successful installation &amp; commissioning upon submission of claim supported by the acceptance certificate issued by the Purchaser along with the Performance security including fulfillment of all contractual obligations subject to the submission of PBG @03% of the order value covering the period beyond 02 months of the Warranty Period of 5 year plus 2 years of Extended Warranty.</p> <p><b>All Bank Charges abroad, if any , shall be to the account of the beneficiary i.e. supplier and all Bank Charges in India shall be to the account of the opener i.e. Purchaser.</b></p> <p style="text-align: center;"><b>OR</b></p> <p>Hundred percent (100%) of the Contract Price of Goods received shall be paid through Wire Transfer within thirty (30) days of receipt of Goods and successful installation &amp; commissioning upon submission of claim supported by the acceptance certificate issued by the Purchaser along with the Performance security, if any.</p> <hr/> <p><u>All bank charges abroad, if any, shall be to the account of the beneficiary i.e. supplier and all bank charges in India shall be to the account of the opener i.e. purchaser.</u></p> <hr/> <p style="text-align: center;"><b>OR</b></p> <p><u>Hundred percent (100%) of the Contract Price of Goods received shall be paid through Wire Transfer within thirty (30) days of receipt of Goods.</u></p> <p style="text-align: right;"><u>(WHICHEVER IS APPLICABLE)</u></p> <hr/> <hr/>

		<p>The Performance Security of 10% (Three percent) of value of Purchase Order should be valid till 60 (Sixty) days beyond the date of expiry of Warranty of 02 (Two) year plus 02 (Two) years of extended warranty Period.</p>
	<p>GCC 2.22.1</p>	<p>The L/C will be confirmed at the suppliers cost, if requested specifically by the supplier. All bank charges abroad shall be to the account of the beneficiary i.e. supplier and all bank charges in India shall be to the account of the opener i.e. purchaser. If L/C is requested to be extended/ reinstated for reasons not attributable to the purchaser, the charges thereof would be to the suppliers' account. Payment of local currency portion shall be made in Indian Rupees within thirty (30) days of presentation of claim supported by a certificate from the Purchaser declaring that the Goods have been delivered and that all other contracted Services have been performed. The LC for 100% value of the contract shall be established after deducting the agency commission payable if any, to the Indian agent from the FOB/FCA value.</p> <p><b>Payment for Goods and Services supplied from India:</b></p> <p>The payment shall be made in Indian Rupees, as follows:  <b>100% Irrevocable Inland LC shall be opened in favour of the Supplier out of which payment shall be released by the following ways:-</b></p> <p><b>(a) On Shipment: Ninety percent ( 90 %) of the Contract Price plus 100% taxes after deducting GST TDS as per applicable rates shall be paid through irrevocable letter of credit opened in favour of the Supplier in a bank in its country, upon submission of shipment documents.</b></p> <p>[Note:- For Opening of Inland LC, the awarded firm has to provide us the Insurance Policy Certificate hypothecated to Purchaser's Bank (i.e. Name of Bank: STATE BANK OF INDIA, Branch Name: Hari Market, Jammu, Account No: 30186230982, IFSC Code SBIN0000657) for coverage of risk for an amount of 110% of the Purchase Order value from Supplier's Warehouse to the Stores Section, CSIR-IIIM, Jammu.]</p> <p><b>(b) On Acceptance: Ten percent ( 10 %) of the Contract Price of Goods received shall be paid through Inland letter of credit within thirty (30) days of receipt of Goods and successful installation &amp; commissioning upon submission of claim supported by the acceptance certificate issued by the Purchaser along with the Performance Security including fulfillment of all contractual obligations subject to the submission of PBG @03% of the order value covering the period beyond 02 months of the Warranty Period of 1 years plus 2 years of Extended Warranty.</b></p> <hr/> <p style="text-align: center;"><b>OR</b></p> <p>Hundred percent ( 100%) of the Contract Price of Goods received shall be paid within thirty (30) days of receipt of Goods and successful installation &amp; commissioning upon submission of claim supported by the acceptance certificate issued by the Purchaser along with the Performance security, if any.  (WHICHEVER IS APPLICABLE)</p> <hr/> <p style="text-align: center;"><b>OR</b></p> <hr/> <hr/> <hr/> <hr/>

		<p><b>shall be paid within thirty (30) days of receipt and acceptance of goods.</b></p> <p>The Performance Security of <b>3% (Three percent)</b> of value of Purchase Order should be valid till 60 (Sixty) days beyond the date of expiry of Warranty Period of <b>01 (One) Year comprehensive Warranty</b> from the date of installation, commissioning and acceptance.</p> <hr/> <p><b>Note:</b></p> <p><b>All payments due under the Contract shall be paid after deduction of statutory levies at source (like ESIC, Income Tax, TDS etc.), wherever applicable.</b></p> <p><b>Payments will be made through e-payment mode, i.e. RTGS. Bills for partial supply (if any) should not be raised. Bills can only be raised after completion of the entire supply.</b></p>
10	GCC 2.27.1	The penalty shall be 0.5% per week or part of a week towards latedelivery and installation, commissioning, training etc. including all contractual obligations beyond contractual deadlines.
11	GCC 2.27.1	The maximum amount of penalty shall be 10%
12	GCC 2.34.1	The place of jurisdiction is Jammu, West Bengal, India.
13	GCC 2.35.1	For notices, the Purchaser's address isThe Director Attention: Stores & Purchase Officer Location: <b>CSIR- Indian Institute of Integrative Medicine Canal Road, Jammu-180001</b> Telephone:+ ----- Electronic mail address : <a href="mailto:purchase@iiim.res.in">purchase@iiim.res.in</a>
14	GCC 2.43.1	The integrity pact is not to be signed.
15	GCC 2.43.2	<i>The name and contact details of the IEMs are as under:</i> <b>(NOT APPLICABLE)</b>
16	GCC 1.32.3	<i>Purchase Preference Make in India as per Order of Govt. of India issued time to time - <b>Applicable</b></i>
17	GCC 1.32.3	<i>Purchase Preference MSE -<b>Applicable</b></i>

#### Conditions of Contract

E) General Conditions of Contract (GCC) -

Please refer to our website with a link <https://www.iiim.res.in/tender-notices> .

Thanking you,  
Yours faithfully,  
( Dilip Kumar Gehlot )  
Stores & Purchase Officer  
(For and On behalf of The Council of Scientific & Industrial Research)  
Email : [dilip.spo@iiim.res.in](mailto:dilip.spo@iiim.res.in) / [purchase@iiim.ac.in](mailto:purchase@iiim.ac.in)

**Annexure A**

**Bidder Information Form**

*(Refer para 5.1.2 (ix)(a) of the CSIR Manual)*

- (a) *The Bidder shall fill in this Form in accordance with the instructions indicated below. No alterations to its format shall be permitted and no substitutions shall be accepted. This should be done of the letter head of the firm]*

Date: *[insert date (as day, month and year) of Bid Submission]*Tender

No.: *[insert number from Invitation for bids]*

Page 1 of \_\_\_\_\_ pages

01.	Bidder's Legal Name <i>[insert Bidder's legal name]</i>
02.	In case of JV, legal name of each party: <i>[insert legal name of each party in JV]</i>
03.	Bidder's actual or intended Country of Registration: <i>[insert actual or intended Country of Registration]</i>
04.	Bidder's Year of Registration: <i>[insert Bidder's year of registration]</i>
05.	Bidder's Legal Address in Country of Registration: <i>[insert Bidder's legal address in country of registration]</i>
06.	Bidder's Authorized Representative Information Name: <i>[insert Authorized Representative's name]</i> Address: <i>[insert Authorized Representative's Address]</i> Telephone/Fax numbers: <i>[insert Authorized Representative's telephone/fax numbers]</i> Email Address: <i>[insert Authorized Representative's email address]</i>
07.	Attached are copies of original documents of: <i>[check the box(es) of the attached original documents]</i> Articles of Incorporation or Registration of firm named in 1, above.

Signature of Bidder \_\_\_\_\_

Name \_\_\_\_\_

Business Address \_\_\_\_\_

**Annexure B**

**MANUFACTURERS' AUTHORIZATION FORM**

*(Refer para 5.1.2 (ix)(b) of the CSIR Manual)*

***[The Bidder shall require the Manufacturer to fill in this Form in accordance with the instructions indicated. This letter of authorization should be on the letterhead of the Manufacturer and should be signed by a person with the proper authority to sign documents that are binding on the Manufacturer and be enclosed with the technical bid.***

Date: *[insert date (as day, month and year) of Bid Submission]*

Tender No.: *[insert number from Invitation for Bids]*To:

*[insert complete name and address of Purchaser]*WHEREAS

We *[insert complete name of Manufacturer]*, who are official manufacturers of *[insert type of goods manufactured]*, having factories at *[insert full address of Manufacturer's factories]*, do hereby authorize *[insert complete name of Bidder]* to submit a bid the purpose of which is to provide the following Goods, manufactured by us *[insert name and or brief description of the Goods]*, and to subsequently negotiate and sign the Contract.

We hereby extend our full guarantee and warranty in accordance with IIM's Tender Enquiry, with respect to the Goods offered by the above firm.

Signed: *[insert signature(s) of authorized representative(s) of the Manufacturer]*

Name: *[insert complete name(s) of authorized representative(s) of the Manufacturer]*

Title: *[insert title]*

Duly authorized to sign this Authorization on behalf of: *[insert complete name of Bidder]*

Dated on \_\_\_\_\_ day of \_\_\_\_\_, \_\_\_\_\_ *[insert date of signing]*

**Annexure C**

**BID SECURITY FORM**

*(Refer para 5.1.2 (ix) & 6.1.1 (01) of the CSIR Manual)*

Whereas \_\_\_\_\_ (hereinafter called the tenderer") has submitted their offer dated \_\_\_\_\_ for the supply of \_\_\_\_\_ (hereinafter called the tender") against the purchaser's tender enquiry No. \_\_\_\_\_

KNOW ALL MEN by these presents that WE \_\_\_\_\_ of \_\_\_\_\_ having our registered office at \_\_\_\_\_ are bound unto \_\_\_\_\_ (hereinafter called the "Purchaser")

In the sum of \_\_\_\_\_ for which payment will and truly to be made to the said Purchaser, the Bank binds itself, its successors and assigns by these presents. Sealed with the Common Seal of the said Bank this \_\_\_\_\_ day of \_\_\_\_\_ 20\_\_\_\_\_.

THE CONDITIONS OF THIS OBLIGATION ARE:

- (1) If the tenderer withdraws or amends or modifies or impairs or derogates from the Tender in any respect within the period of validity of this tender.

Or

- (2) If the tenderer having been notified of the acceptance of his tender by the \_\_\_\_\_ Purchaser during the period of its validity:-
  - (a) If the tenderer fails to furnish the Performance Security for the due performance of the contract.
  - (b) Fails or refuses to accept/execute the contract.

WE undertake to pay the Purchaser up to the above amount upon receipt of its first written demand, without the Purchaser having to substantiate its demand, provided that in its demand the Purchaser will note that the amount claimed by it is due to it owing to the occurrence of one or both the two conditions, specifying the occurred condition or conditions.

This guarantee will remain in force up to and including 45 days after the period of tender validity i.e., up to \_\_\_ and any demand in respect thereof should reach the Bank not later than this date.

\_\_\_\_\_  
(Signature of the authorized officer of the Bank)

Name and designation of the officer Seal,  
Name & Address of the Issuing Branch of the Bank

**Note: Whenever the bidder chooses to submit the Bid Security in the form of Bank Guarantee, then he should advise the banker issuing the Bank Guarantee to immediately send by Registered Post (A.D.) an unstamped duplicate copy of the Guarantee directly to the Purchaser with a covering letter to compare with the original BG for the correctness, genuineness, etc.**



**Annexure D**

**Bid-Securing Declaration Form**

*(Refer para 5.1.2 (ix)(d) & 6.1.1 (02) of the CSIR Manual)*

Date: \_\_\_\_\_

Bid No. \_\_\_\_\_

To (insert complete name and address of the purchaser)I/We.

The undersigned, declare that:

I/We understand that, according to your conditions, bids must be supported by a Bid Securing Declaration.

I/We accept that I/We may be disqualified from bidding for any contract with you for a period of one year from the date of notification if I am /We are in a breach of any obligation under the bid conditions, because I/We

- (a) have withdrawn/modified/amended, impairs or derogates from the tender, my/our Bid during the period of bid validity specified in the form of Bid; or
- (b) having been notified of the acceptance of our Bid by the purchaser during the period of bid validity (i) fail or reuse to execute the contract, if required, or (ii) fail or refuse to furnish the Performance Security, in accordance with the Instructions to Bidders.

I/We understand this Bid Securing Declaration shall cease to be valid if I am/we are not the successful Bidder, upon the earlier of (i) the receipt of your notification of the name of the successful Bidder; or (ii) thirty days after the expiration of the validity of my/our Bid.

Signed: (insert signature of person whose name and capacity are shown) in the capacity of (insert legal capacity of person signing the Bid Securing Declaration).

Name: (insert complete name of person signing the Bid Securing Declaration)

Duly authorized to sign the bid for an on behalf of : (insert complete name of Bidder) Dated on

\_\_\_\_\_ day of \_\_\_\_\_ (insert date of signing)

Corporate Seal (where appropriate)

(Note: In case of a Joint Venture, the Bid Securing Declaration must be in the name of all partners to the Joint Venture that submits the bid)

**Annexure E**

**PERFORMANCE STATEMENT FORM**

*(Refer para 5.12 (ix)(e) of the CSIR Manual)*

**(For a period of last 3 years)**

**Name of the Firm.....**

Order Placed by (full address of Purchaser)	Order No. and date	Description and quantity of ordered equipment	Value of order	Date of completion of deliver as per Contract	Date of actual dispatch on of delivery	Remarks indicating reasons for late delivery, if any	Has the equipment been installed satisfactorily? (Attach a certificate from the purchaser/Consignee)	Contact person along with Telephone No., FAX No. and e-mail address

Signature and Seal of the manufacturer/Bidder .....

Place :

Date :

**Annexure F**

**DEVIATION STATEMENT FORM**

*(Refer para 5.1.2 (ix)(f) of the CSIR Manual*

Sl.No.	Name of Specifications / Parts / Accessories of Tender Enquiry	Specifications of Quote Model / Part /Accessory	Compliance Whether Yes of No	Deviation, if any to be indicated in unambiguous terms (The compliance / Deviation should be supported by relevant Technical Literature)	Technical justification for the deviation, if any. If specification is superior /inferior than asked for in the enquiry, it should be clearly brought out in the justification
--------	--	---	------------------------------	--	--

**Signature of Bidder**

- ✓ If the bidder offers more than one model, then the Compliance Statement must be enclosed for each and every model separately.
- ✓ The technical and commercial deviations should be indicated separately.
- ✓ If the bidder fails to enclose the compliance statement, his bid is likely to be rejected.

Place:Date:

Signature and seal of the  
Manufacturer/Bidder

**NOTE:**

- 1) Where there is no deviation, the statement should be returned duly signed with an endorsement indicating "No Deviations".

**Annexure G**

**SERVICE SUPPORT FORM**

*(Refer para 5.12 (ix)(g) of the CSIR Manual)*

Sl. No.	Nature of training Imparted	List of similar type of Goods/equipment serviced in the past 3 years	Address, Telephone Nos. , Fax Nos. and e-mail address

Signature and Seal of the manufacturer/Bidder.....

Place :

Date :

**Annexure H**

**Bid Form**

*(Refer para 5.1.2 (ix)(h) of the CSIR Manual)*

*[The Bidder shall fill in this Form in accordance with the instructions indicated. No alterations to its format shall be permitted and no substitutions shall be accepted.]*

Date: *[insert date (as day, month and year) of Bid Submission]*

Tender No.: *[insert number from Invitation for Bids]*

Invitation for Bid No.: *[insert No of IFB]*To:

*[insert complete name of Purchaser]*We, the

undersigned, declare that:

- (a) We have examined and have no reservations to the Bidding Documents, including Addenda No.: *[insert the number and issuing date of each Addenda];*
- (b) We offer to supply in conformity with the Bidding Documents and in accordance with the Delivery Schedules specified in the Schedule of Requirements the following Goods and Related Services *[insert a brief description of the Goods and Related Services];*
- (c) The total price of our Bid, excluding any discounts offered in item (d) below, is: *[insert the total bid price in words and figures, indicating the various amounts and the respective currencies];*
- (d) The discounts offered and the methodology for their application are:

**Discounts:** If our bid is accepted, the following discounts shall apply. *[Specify in detail each discount offered and the specific item of the Schedule of Requirements to which it applies.]*

- (e) Our bid shall be valid for the period of time specified in ITB from the date fixed for the bid opening, and it shall remain binding upon us and may be accepted at any time before the expiration of that period;
- (f) If our bid is accepted, we commit to obtain a performance security in accordance with ITB clause for the due performance of the Contract and also submit order acceptance within 14 days from the date of contract in accordance with ITB Clause.
- (g) The following commissions, gratuities, or fees have been paid or are to be paid with respect to the bidding process or execution of the Contract: *[insert complete name of each Recipient, its full address, the reason for which each commission or gratuity was paid and the amount and currency of each such commission or gratuity]*

Name of Recipient	Address	Reason	Amount
_____	_____		
_____	_____		
_____	_____		

*(If none has been paid or is to be paid, indicate "none.")*

- (h) We understand that this bid, together with your written acceptance thereof included in your notification of award, shall constitute a binding contract between us, until a formal contract is prepared and executed.

- (i) We understand that you are not bound to accept the lowest evaluated bid or any other bid that you may receive.

Signed:

*[insert signature of person whose name and capacity are shown]*

In the capacity of *[insert legal capacity of person signing the Bid Submission Form]*

Name: *[insert complete name of person signing the Bid Submission Form]*

Duly authorized to sign the bid for and on behalf of: *[insert complete name of Bidder]*

Dated on \_\_\_\_\_ day of \_\_\_\_\_, \_\_\_\_\_ *[insert date of signing]*

**Annexure I**

**PERFORMANCE SECURITY FORM**

*(Refer para 5.1.2 (ix)(i) & 6.1.2 (02) of the CSIR Manual)*

**MODEL BANK GUARANTEE FORMAT FOR PERFORMANCE SECURITY**

To,

.....

WHEREAS .....(name and address of the supplier) (hereinafter called "the supplier") has undertaken, in pursuance of contract No. .... dated .....to supply (description of goods and services) (herein after called "the contract").

AND WHEREAS it has been stipulated by you in the said contract that the supplier shall furnish you with a bank guarantee by a scheduled commercial bank recognized by you for the sum specified therein as security for compliance with its obligations in accordance with the contract;

AND WHEREAS we have agreed to give the supplier such a bank guarantee;

NOW THEREFORE we hereby affirm that we are guarantors and responsible to you, on behalf of the supplier, up to a total of.....(amount of the guarantee in words and figures), and we undertake to pay you, upon your first written demand declaring the supplier to be in default under the contract and without cavil or argument, any sum or sums within the limits of (amount of guarantee) as aforesaid, without your needing to prove or to show grounds or reasons for your demand or the sum specified therein.

We hereby waive the necessity of your demanding the said debt from the supplier before presenting us with the demand.

We further agree that no change or addition to or other modification of the terms of the contract to be performed there under or of any of the contract documents which may be made between you and the supplier shall in any way release us from any liability under this guarantee and we hereby waive notice of any such change, addition or modification.

This guarantee shall be valid until the ..... day of ....., 20.....

(Signature of the authorized officer of the Bank)

.....Name and designation of the officer

.....  
Seal, Name & Address of the Issuing Branch of the Bank

**Note: Whenever, the bidder chooses to submit the Performance Security in the form of Bank Guarantee, then he should advise the banker issuing the Bank Guarantee to immediately send by Registered Post (A.D.) an unstamped duplicate copy of the Guarantee directly to the Purchaser with a covering letter to compare with the original BG for the correctness, genuineness, etc.**

Annexure J

Unconditional Acceptance of GCC as mentioned in NIT/IIIM

(On the Letter Head of the Bidder)

Tender Ref. No: \_\_\_\_\_ Date \_\_\_\_\_

Bid ref. No. \_\_\_\_\_ Dat \_\_\_\_\_

To,  
The Director, CSIR-IIIM  
Canal Raod, Jammu

Sir,

I/We accept unconditionally the GENERAL CONDITIONS OF CONTRACT (GCC) and Special Conditions of Contract (SCC) as mentioned in Chapter 2 of this NIT/IIIM Website.

If at any stage it is found that any of the details/ documents furnished by me/us is false/misleading/fabricated/deviating from GCC, my bid would be rejected.

Yours sincerely

Signature .....

Name .....

Designation.....

Name of the firm.....

Date .....

(SEAL AND STAMP)



**Annexure K**

**Format of Integrity Pact**

**(Not applicable in this case)**

*(Refer para 5.1.2 (ix) (k) of the CSIR Manual)*

**INTEGRITY PACT**

**( NOT APPLICABLE IN THIS CASE )**

Between

Council of Scientific & Industrial Research (CSIR) a Society registered under the Indian Societies Act 1860 represented by \_\_\_\_\_ hereinafter referred to as "The Principal".

And .....herein referred to as "The Bidder/ Contractor."

Preamble

The Principal intends to award, under laid down organizational procedures, contract/s for .....The Principal values full compliance with all relevant laws of the land, rules, regulations, economic use of resources and of fairness/ transparency in its relations with its Bidder(s) and/or Contractor(s).

In order to achieve these goals, the Principal will appoint an Independent External Monitor (IEM), who will monitor the tender process and the execution of the contract for compliance with the principles mentioned above.

**Section 1 – Commitments of the Principal**

- (1) The Principal commits itself to take all measures necessary to prevent corruption and to observe the following principles:
  - (a) No employee of the Principal, personally or through family members, will in connection with the tender for, or the execution of a contract, demand, take a promise for or accept, for self or third person, any material or immaterial benefit which the person is not legally entitled to.
  - (b) The Principal will, during the tender process treat all Bidder(s) with equity and reason. The Principal will in particular, before and during the tender process, provide to all Bidder(s) the same information and will not provide to any Bidder(s) confidential/additional information through which the Bidder(s) could obtain an advantage in relation to the tender process or the contract execution.
  - (c) The Principal will exclude from the process all known prejudiced persons.
- (2) If the Principal obtains information on the conduct of any of its employees which is a criminal offence under the IPC/PC Act, or if there be a substantive suspicion in this regard, the Principal will inform the Chief Vigilance Officer and in addition can initiate disciplinary action.

**Section 2 – Commitments of the Bidder(s)/Contractor(s)**

- (1) The Bidder(s)/Contractor(s) commit himself to take all measures necessary to prevent corruption. He commits himself to observe the following principles during his participation in the tender process and during the contract execution.

- (a) The Bidder(s)/Contractor(s) will not, directly or through any other Person or firm, offer, promise or give to any of the Principal's employees involved in the tender process or the execution of the contract or to any third person any material or other benefit which he/she is not legally entitled to, in order to obtain in exchange any advantage of any kind whatsoever during the tender process or during the execution of the contract.
- (b) The Bidder(s)/Contractor(s) will not enter with other Bidders into any undisclosed agreement or understanding, whether formal or informal. This applies in particular to prices, specifications, Certifications, subsidiary contracts, submission or non-submission of bids or any other actions to restrict competitiveness or to introduce cartelization in the bidding process.
- (c) The Bidder(s)/Contractor(s) will not commit any offence under the relevant IPC/PC Act; further the Bidder(s)/Contractor(s) will not use improperly, for purposes of competition or personal gain, or pass on to others, any information or document provided by the Principal as part of the business relationship, regarding plans, technical proposals and business details, including information contained or transmitted electronically.
- (d) The Bidder(s)/Contractor(s) of foreign origin shall disclose the name and address of the Agents/representatives in India, if any. Similarly the Bidder(s)/Contractors(s) of Indian Nationality shall furnish the name and address of the foreign principals, if any. Further details as mentioned in the "Guidelines on Indian Agents of Foreign Suppliers" shall be disclosed by the Bidder(s)/Contractor(s). Further, as mentioned in the Guidelines all the payments made to the Indian agent/representative have to be in Indian Rupees only. Copy of the "Guidelines on Indian Agents of Foreign Suppliers" is annexed and marked as Annexure.
- (e) The Bidder(s)/Contractor(s) will, when presenting his bid, disclose any and all payments he has made, is committed to or intends to make to agents, brokers or any other intermediaries in connection with the award of the contract.
- (2) The Bidder(s)/Contractor(s) will not instigate third persons to commit offences outlined above or be an accessory to such offences.
- (3) The person signing IP shall not approach the courts while representing the matters to IEMs and he/she will await their decision in the matter.

**Section 3 – Disqualification from tender process and exclusion from future Contracts**

- E) If the Bidder(s)/Contractor(s), before award or during execution has committed a transgression through a violation of Section 2, above or in any other form such as to put his reliability or credibility in question, the Principal is entitled to disqualify the Bidder(s)/Contractor(s) from the tender process or take action as per the procedure mentioned in the "Guidelines on Banning of business dealings". Copy of the "Guidelines on Banning of business dealings" is annexed and marked as Annex – "B".

**Section 4 – Compensation for Damages**

- (1) If the Principal has disqualified the Bidder(s) from the tender process prior to the award according to Section 3, the Principal is entitled to demand and recover the damages equivalent to Earnest Money Deposit/ Bid Security.
- (2) If the Principal has terminated the contract according to Section 3, or if the Principal is entitled to terminate the contract according to Section 3, the Principal shall be entitled to demand and recover from the Contractor liquidated damages of the contract value or the amount equivalent to Performance Bank Guarantee.

### **Section 5 – Previous transgression**

- (1) The Bidder declares that no previous transgressions occurred in the last 3 Years with any other Company in any country conforming to the anti-corruption approach or with any other Public Sector Enterprise in India that could justify his exclusion from the tender process.
- (2) If the Bidder makes incorrect statement on this subject, he can be disqualified from the tender process or action can be taken as per the procedure mentioned in “Guidelines on Banning of business dealings.”

### **Section 6 – Equal treatment of all Bidders / Contractors/ Sub-contractors**

- (1) The Bidder(s)/Contractor(s) undertake(s) to demand from all Subcontractors a commitment in conformity with this Integrity Pact, and to submit it to the Principal before contract signing.
- (2) The Principal will enter into agreements with identical conditions as this one with all Bidders, Contractors and Subcontractors.
- (3) The Principal will disqualify from the tender process all bidders who do not sign this Pact or violate its provisions.

### **Section 7 – Criminal charges against violating Bidders / Contractors/ Subcontractors**

- E) If the Principal obtains knowledge of conduct of a bidder, Contractor or Subcontractor or of an employee or a representative or an associate of a bidder, Contractor or Subcontractor which constitutes corruption, or if the Principal has substantive suspicion in this regard, the Principal will inform the same to the Chief Vigilance Officer.

### **Section 8 – Independent External Monitors**

- (1) The Principal appoints competent and credible Independent External Monitor for this Pact. The task of the Monitor is to review independently and objectively, whether and to what extent the parties comply with the obligations under this agreement.
- (2) The Monitor is not subject to instructions by the representatives of the parties and performs his functions neutrally and independently. He reports to the JS (A), CSIR.
- (3) The Bidder(s)/Contractor(s) accepts that the Monitor has the right to access without restriction to all Project documentation of the Principal including that provided by the Contractor. The Contractor will also grant the Monitor, upon his request and demonstration of a valid interest, unrestricted and unconditional access to his project documentation. The same is applicable to Subcontractors. The Monitor is under contractual obligation to treat the information and documents of the Bidder(s)/ Contractor(s) / Subcontractor(s) with confidentiality.
- (4) The Principal will provide to the Monitor sufficient information about all meetings among the parties related to the Project provided such meetings could have an impact on the contractual relations between the Principal and the Contractor. The parties offer to the Monitor the option to participate in such meetings.
- (5) As soon as the Monitor notice, or believes to notice, a violation of this agreement, he will so inform the Management of the Principal and request the Management to discontinue or take corrective action, or to take other relevant action. The monitor can in this regard submit non- binding recommendations. Beyond this, the Monitor has no right to demand from the parties

that they act in a specific manner, refrain from action or tolerate action.

- (6) The Monitor will submit a written report to the JS(A), CSIR within 8 to 10 weeks from the date of reference or intimation to him by the Principal and should the occasion arise, submit proposals for correcting problematic situations.
- (7) Monitor shall be entitled to compensation on the same terms as being extended to/provided to Independent Directors on the CSIR.
- (8) If the Monitor has reported to the JS(A), CSIR, a substantiated suspicion of an offence under relevant IPC/PC Act, and the JS(A), CSIR has not, within the reasonable time taken visible action to proceed against such offence or reported it to the Chief Vigilance Officer, the Monitor may also transmit this information directly to the Central Vigilance Commissioner.
- (9) The word 'Monitor' would include both singular and plural.

**Section 9 – Pact Duration**

This Pact begins when both parties have legally signed it. It expires for the Contractor 10 months after the last payment under the contract, and for all other Bidders 6 months after the contract has been awarded.

If any claim is made/lodged during this time, the same shall be binding and continue to be valid despite the lapse of this pact as specified above, unless it is discharged/determined by JS(A), CSIR.

**Section 10 – Other provisions**

- (1) This agreement is subject to Indian Law. Place of performance and Jurisdiction is the Registered Office of the Principal, i.e. New Delhi
- (2) Changes and supplements as well as termination notices need to be made in writing. Side agreements have not been made.
- (3) If the Contractor is a partnership or a consortium, this agreement must be signed by all partners or consortium members.
- (4) Should one or several provisions of this agreement turn out to be invalid, the remainder of this agreement remains valid. In this case, the parties will strive to come to an agreement to their original intentions.

\_\_\_\_\_  
(For & On behalf of the Principal)  
(Office Seal)

\_\_\_\_\_  
(For & On behalf of Bidder/Contractor)  
(Office Seal)

Place.....

Place.....

Date.....

Date.....

Witness 1 (Name & Address): \_\_\_\_\_

Witness 2 (Name & Address): \_\_\_\_\_

**Annexure L**

**Format of Letter of Authority for participating in bid opening**

(On the letter head of the bidder)

*(Refer para 5.1.2 (ix)(l) & 5.3.2 of the CSIR Manual)*

Ref.No. \_\_\_\_\_

Date: \_\_\_\_\_

**Subject: Authorization letter for participants in the bid opening process**

To

\_\_\_\_\_  
\_\_\_\_\_

(Name & Address of the Purchaser)Sir

With reference to your invitation for bid No. \_\_\_\_\_ dated \_\_\_\_\_, we wish to inform you that we have participated in the bidding process and have submitted bid bearing Ref. No. \_\_\_\_ dated \_\_\_\_\_.

In line with your requirement, we hereby authorize Sh/Smt. \_\_\_\_\_ To participate in the bid opening process scheduled on \_\_\_\_\_ at \_\_\_\_\_ hrs (IST) in your premises. A copy of the identity of the representative is attached duly certified by the undersigned.

Thanking you

Yours faithfully,

(Signature of the bidder with seal)

Annexure M

**Format for declaration by the Bidder for Code of Integrity & conflict of interest**  
*(Refer para 3.2.1 & 5.1.2 (ix)(m) of the CSIR Manual)*

**(On the Letter Head of the Bidder)**

Ref. No: \_\_\_\_\_

Date \_\_\_\_\_

To,

\_\_\_\_\_

(Name & address of the Purchaser)

Sir,

With reference to your Tender No. \_\_\_\_\_ dated \_\_\_\_\_ I/We hereby  
Declare that we shall abide by the Code of Integrity for Public Procurement as mentioned in ITB of your Tender document  
and have no conflict of interest.

The details of any previous transgressions of the code of integrity with any entity in any country during the last  
three years or of being debarred by any other Procuring Entity are as under:

- a
- b
- c

We undertake that we shall be liable for any punitive action in case of transgression/contravention of this  
code.

Thanking you,

Yours sincerely,

Signature  
(Name of the Authorized Signatory)  
Company Seal

**Annexure N**

**PRICE SCHEDULE FORM FOR GOODS BEING OFFERED FROM ABROAD**  
*(If quotation is in foreign currency)*

**(Not applicable in this case)**

Name of the Bidder \_\_\_\_\_

TENDER NO \_\_\_\_\_

1	2	3	4	5	6	7	8	9	10	11	12
Sl. No	Item Description	Country of origin	Unit	Qty.	Unit price Indicating currency  FOB (named port of shipment or FCA (named place of delivery) <i>(retain only one)</i>	Total price (5x6)  FOB (named port of shipment ) or FCA (named place of delivery) <i>(retain only one)</i>	Charges for Insurance & transportation to port//place of 71ispatch71 71nn	Total price <i>CIF/CIP (retain one only)</i> (7+8)	Indian Agents Commission as a percent of FOB /FCA price included in the Quoted price	Approx. Shipment weight and volume	Indian Customs Tariff No and HSN No.  (ICT & HSN No.)

**Annexure 0**

**PRICE SCHEDULE FORM FOR GOODS BEING OFFERED FROM INDIA**  
(refer para 5.1.4 (02)(l) of the CSIR Manual)

Name of the Bidder \_\_\_\_\_

Tender No. \_\_\_\_\_

1	2	3	4	5	6	7	8	9	10	11	12
Sl. No.	Item Description With HSN code	Country of origin	Unit	Qty.	Unit Rate Ex-Works, Ex-warehouse, Ex-show room off the shelf price (72ispatch 72e of all taxes already paid)	Total price Ex-Works, Ex-warehouse, Ex-show room off the shelf price (inclusive of all taxes 72ispatch y paid) 5x6	GST & other taxes payable, if contract is awarded	Packing & forwarding upto station of 72ispatch, If any	Charges for inland transportation, insurance up to Lab. / Instt. by <b>air/road/rail (retain one only)</b>	Total Price	Installation, Commissioning and training charges, if any

Total Bid price in Indian Currency \_\_\_\_\_ in words

Signature of Bidder \_\_\_\_\_

**Note:**

- (a) The cost of optional items, if any shall be indicated separately
- (b) Cost of Spares, If any

Name \_\_\_\_\_

Business Address \_\_\_\_\_



Annexure P

**Bid opening attendance sheet cum report**

<b>Attendance Record</b>						
<b><u>S.No</u></b>	<b><u>Bidders Name</u></b>	<b><u>Bidders Address</u></b>	<b><u>Bidders Authorization and date</u></b>	<b><u>Represented by</u></b>	<b><u>Contact No.</u></b>	<b><u>Signature of Representative</u></b>

<b>Bid Opening Report</b>					
<b>Tender No.</b>		<b>Title</b>		<b>Date of Opening</b>	
<b>Offer Nos.</b>	<b>Bidder Name</b>	<b>Bidders Ref. and date</b>	<b>Submission of Requisite EMD Y/N</b>	<b>Rate quoted and Taxes/Duties</b>	<b>Signature of Representative</b>

Total no. of regular tenders taken out from the tender box to be opened as mentioned above  
 \_\_\_\_\_ ( In figures and words)

Signature, Date and Time Name and Designation of Tender Opening Officer	Signature, Date and Time Name and Designation of Tender Opening Officer	Signature, Date and Time Name and Designation of Tender Opening Officer
---	---	---

Received total regular tenders ..... (In figures/words) as above

Signature, Date and Time Name and Designation of Purchase Dealing Assistant/ Section Officer	
--	--

Annexure Q

**BANK GUARANTEE FORM FOR ADVANCE PAYMENT**  
(Refer para 5.1.2 (ix)(n) & 6.5.1 (ii) (d) of the CSIR Manual)

To  
\_\_\_\_\_  
(name of Purchaser)  
\_\_\_\_\_  
(address of Purchaser)  
\_\_\_\_\_  
(name of Contract)

Gentlemen:

In accordance with the provisions of the Purchase Order no. \_\_\_\_\_, dated \_\_\_\_\_, M/s \_\_\_\_\_, (name and address of Supplier) (hereinafter called "the supplier") shall deposit with \_\_\_\_\_ (name of Purchaser) a bank guarantee to guarantee his proper and faithful performance under the said Clause ... Of the Contract in an amount of (amount of guarantee) \* \_\_\_\_\_ (in words).

We, the \_\_\_\_\_ (bank or financial institution), as instructed by the Supplier, agree unconditionally and irrevocably to guarantee as primary obligator and not as Surety merely, the payment to (name of Purchaser) on his first demand without whatsoever right of objection on our part and without his first claim to the Supplier, in the amount not exceeding \_\_\_\_\_ (amount of guarantee)\* \_\_\_\_\_ (in words).

We further agree that no change or addition to or other modification of the terms of the Contract to be performed there under or of any of the Contract documents which may be made between (name of Purchaser) and the Supplier, shall in any way release us from any liability under this guarantee, and we hereby waive notice of any such change, addition or modification.

This guarantee shall remain valid and in full effect from the date of the advance payment received by the Supplier under the contract until \_\_\_\_\_.

Yours truly, Signature

and seal:  
Name of bank/ financial institution:  
Address:  
Date:

\_\_\_\_\_ An amount is to be inserted by the bank or financial institution representing the amount of the Advance Payment.

Annexure R

**Certificate Regarding Procurement from a bidder of a country which shares a land border with India**

(On the Letter Head of the Bidder)

Tender Ref: \_\_\_\_\_

Dated : \_\_\_\_\_

**“We have read the clauses regarding restrictions on procurement from a bidder of a country which shares a land border with India, as per Office Memorandums issued by Department of Expenditure, PPD, Ministry of Finance, under F. No. 6/18/2019-PPD and we hereby certify that our firm is not from such a country and is eligible to be considered”**

Or

However if any bidder falls in the category of bidders as indicated in the Definitions clause at Cl. No.6,7,8,9,and 10 of Oder (F.NO. 6/18/2019-PPD, Public Procurement no. 1) Dt. 23-07-2020, should submit the certificate as under:

**“We have read the clauses regarding restrictions on procurement from a bidder of a country which shares a land border with India as per Office Memorandums issued by Department of Expenditure, PPD, Ministry of Finance, under F. No. 6/18/2019-PPD and we hereby certify that our firm is from such a country and has been registered with Competent Authority (Specified in Annexure-I of Order (F.No. 6/18/2019-PPD, Public Procurement no. 1) dated 23.07.2020 and further certify that our firm fulfills all requirements in this regard and is eligible to be considered. The evidence of valid registration by the Competent Authority is attached herewith.”**

Authorized Signatory of Bidder

Date:

Seal of the Firm

**Note:**

1. Choose any one of the above mentioned conditions, whichever is applicable.2. In case of Authorized dealers/ Local Suppliers have quoted against the Tender, both the Authorized dealer and their Principals should submit the above mentioned certificate.

**Annexure S**

**Format for Affidavit of Self Certification regarding Class of Local Supplier, Local Content and Domestic value addition for the quoted item**

Date: \_\_\_\_\_

I \_\_\_\_\_ S/o, \_\_\_\_\_ D/o, W/o \_\_\_\_\_, Resident \_\_\_\_\_ of \_\_\_\_\_ do hereby solemnly affirm and declare as under:

That I will agree to abide by the terms and conditions of the policy of Government of India issued vide Notification – Public procurement (preference to Make in India) Order 2017 dt. 15<sup>th</sup> June, 2017, its revision dated 04<sup>th</sup> June, 2020 and its subsequent amendments.

That the information furnished hereinafter is correct to be of my knowledge and belief and I undertake to produce relevant records before the procuring entity or any authority so nominated for the purpose of assessing the local content.

That the local content for all inputs which constitute the said equipment has been verified by me and I am responsible for the correctness of the claims made therein.

That in the event of the domestic value addition of the product mentioned herein is found to be incorrect and not meeting the prescribed value-addition norms, based on the assessment of an authority so nominated for the purpose of assessing the local content, action will be taken against me as per Order No. P-45021/2/2017/- E.E.-II dated 15.06.2017, its revision dated 04<sup>th</sup> June, 2020 and its subsequent amendments.

I agree to maintain the following information in the Company's record for a period of 3 years and shall make this available for verification to any statutory authority: (Kindly fill up the below mentioned particulars)

- i. Name and details of the Domestic Manufacturer (Registered Office, Manufacturing Unit location, nature of legal entity)
- ii. Date on which this certificate is issued
- iii. R & D Equipment for which the certificate is produced
- iv. Procuring entity to whom the certificate is furnished
- v. Percentage of local content claimed
- vi. Name and contact details of the unit of the manufacturer

I/We do hereby declare that as per the order no.P-45021/2/2017-PP (BE-II) dated 04 June 2020 issued by Department for Promotion of Industry and Internal Trade (DPIIT), Govt. of India, We are \_\_\_\_\_ (Class-I/Class-II) supplier.

**The bidders offering imported products will fall under the category of Non-Local suppliers. They cannot claim themselves as Class-I/ Class-II local suppliers by claiming profit, warehousing, marketing, logistics, freight etc. as local value addition.**

**Also, the bidders offering imported products will fall under the category of Non-local suppliers. They can't claim themselves as Class-I local supplier / Class-II local supplier by claiming the services such as transportation, insurance, installation, commissioning, training and after sales service support like AMC/CMC as local value addition.**

**I/WE CERTIFY THAT ALL INFORMATION FURNISHED BY THE OUR FIRM IS TRUE & CORRECT AND IN THE EVENT THAT THE IFNORMATION IS FOUND TO BE A FALSE DECLARATION IT WILL BE A BREACH OF THE CODEOF INTEGRITY UNDER RULE 175(1)(i)(h) OF THE GENERAL FINANCIAL RULES FOW WHICH A BIDDER OR ITS SUCCESSORS CAN BE DEBARRED FOR UP TO TWO YEARS AS PER RULE 151(iii) OF THE GENERAL FINANCIAL RULES ALONG WITH SUCH OTHER ACTIONS AS MAY BE PERMISSIBLE UNDER LAW.**

For and on behalf of

(Name of firm/entity)

Authorized signatory (To be duly authorized by the Board of Director)

Bidders not submitting the above certificate will be considered as non-responsive and liable to be summarily rejected

Annexure T

**PRICE REASONABILITY CERTIFICATE**

(Should be printed in Company Letter head and signed by the authorized signatory with seal.)

This is to certify that the prices quoted for (Name of the Item offered) are best and minimum and we have not quoted the same on lesser rates than those being offered to CSIR-IIIM to any customer nor we will do till the validity of offer or execution of Purchase Order.

CSIR-IIIM Tender No. \_\_\_\_\_

Signature  
(Name of the Authorized Signatory)  
Company Seal

**Annexure U**

**DECLARATION OF ELIGIBILITY**

**Name of the Contract:**

**Name and address of**

The Purchase Officer  
CSIR-Indian Institute of Integrative Medicine Canal  
Road , Jammu - 180001 Phone: .....  
Fax: -----

**Name and address of Tenderer:**

Whereas the Tenderer declares in accordance of Tender Prices, Instructions to Tenderers; Conditions of Tender; that all eligibility criteria set for documents forming the tender.

(I) None of the following applies to us, that:

- E) We are bankrupt.
- b) Payments to us have been suspended in accordance with the judgment of a court or a judgment declaring bankruptcy and resulting, in accordance with our national laws, in total or partial loss of the right to administer and dispose of our property.
- c) Legal proceedings have been instituted against us involving an order suspending payments and which may result, in accordance with our national laws, in declaration of bankruptcy or in any other situation entailing the total or partial loss of the right to administer and dispose of our property.
- d) We are guilty of serious misrepresentation with regard to information required for participation in an invitation to tender.
- E) We are in breach of contract on another contract with the Employer and/or in any part of the country.

We (including all partners of a joint venture) have any connection with a firm or entity which has provided consulting services during the preparatory stages of the Works or of the project of which the Works form a part, or which has been hired (or is intended to be hired) as the Employer's Representative for the Contract.

**Signature(s) for and on behalf of the Tenderer** \_\_\_\_\_

**Date:** \_\_\_\_\_

**Mandatory check point to Bidders before uploading/submitted Tender (Refer complete document) fill up all annexures/forms and submit the same with the technical bid.**

	Information/document attached/enclosed at page No.
EMD (Bid Security) as per Tender document	
Annexure A Bidder information form	
Annexure B Manufacturer Authorization Form	
Annexure C Bid Security form	
Annexure D Bid securing declaration form	
Annexure E Performance Statement form	
Annexure F Deviation Statement form	
Annexure G Service Support form	
Annexure H Bid Form	
Annexure I Performance Security Form	
Annexure J Acceptance Certificate form	
Annexure K Format of Integrity Pact <b>(Not applicable in this case)</b>	
Annexure L Format of letter for authority for participating in bid opening	
Annexure M Code of Integrity	
Annexure N Price Schedule being offered from abroad <b>(Not applicable in this case)</b>	
Annexure O Price schedule being offered from India	
Annexure P Bid opening Attendance sheet	
Annexure Q Bank Guarantee form for Advance Payment	
Annexure R Land border Certificate	
Annexure S Self Certification for local contents	
Annexure T Price reasonability Certificate	
Annexure U Declaration of Eligibility	
<p>Terms &amp; conditions applicable for Indigenous/Imported goods &amp; services. Rates should be clearly mentioned to avoid rejection.</p> <ul style="list-style-type: none"> <li>- FOR</li> <li>- Ex-Works/FOB/FCA.</li> <li>- Also quote CIF/CIP separately to avoid rejection.</li> <li>- Validity of quote-Should be 90 Days</li> <li>- Delivery Period: 4-6 weeks or as required</li> <li>- Payment Terms: 30 days or as required as per tender document.</li> <li>- Warranty Period:</li> <li>- GST, If applicable:</li> </ul> <p><b>Percentage/Amount of Custom Duty included in the prices, if the quoted item is of import nature and prices quoted in Indian currency (Concessional Custom Duty Certificate will be provided)</b></p>	

**Note: Conditional Tender will not be considered. Please refer all terms & conditions & tender document and submit the tender complete in all respect to avoid rejection.**

**All the terms & conditions of the tender is acceptable.**

(To be signed by the bidder)